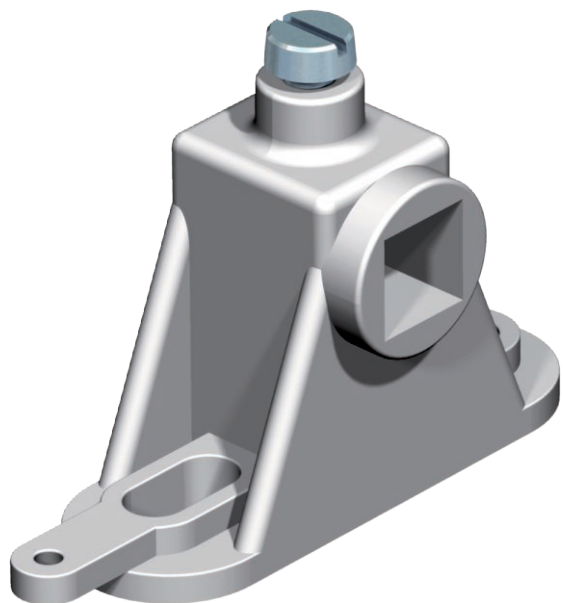


# Technical data sheet

## Busbar stands for 1801 VDE

Item no. 5015715



- 2 rail stands required per 14 units
- With 6 x 13 mm slot



**PS** Polystyrene

### Master data

Item no.	5015715
Type	1801 SCH
Description 1	Rail stand
Description 2	for equipotential busbar
Dimension	120x120x53
Colour	Grey
Material	Polystyrene
Material symbol	PS
Smallest sales unit (VG)	10,00 Piece
Weight	1,50 kg/100 pc.

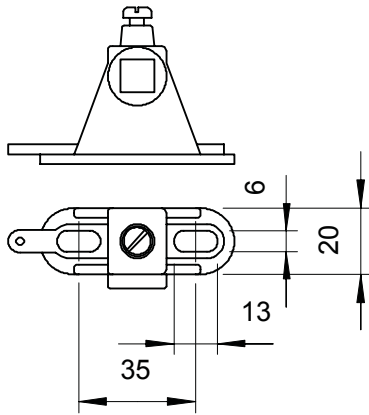
# Technical data sheet

## Busbar stands for 1801 VDE

Item no. 5015715



### Technical data



Width	20,00 mm
Type of accessory	Rail stand