

# Technical data sheet

## T piece adapter

Item no. 6113304



T-piece adapter to create a 90° junction of the system size 53130 on the system size 53130.

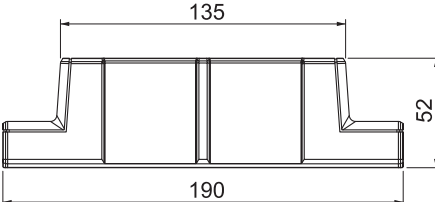


**PC/ABS** Polycarbonate/acrylonitrile butadiene styrene

### Master data

|                          |                                               |
|--------------------------|-----------------------------------------------|
| Item no.                 | 6113304                                       |
| Type                     | GK-TR53130AL                                  |
| Description 1            | T piece adaptor                               |
| Description 2            | for Rapid 45-2, 2-compartment                 |
| Dimension                | 190x52x56                                     |
| Colour                   | Aluminium                                     |
| Material                 | Polycarbonate/acrylonitrile-butadiene-styrene |
| Material symbol          | PC/ABS                                        |
| Smallest sales unit (VG) | 1,00 Piece                                    |
| Weight                   | 3,51 kg/100 pc.                               |

### Technical data

|                                                                                     |                              |                                     |
|-------------------------------------------------------------------------------------|------------------------------|-------------------------------------|
|  | Width of the branch          | 130,00 mm                           |
|                                                                                     | Version for                  | Hood fitting                        |
|                                                                                     | Number of covers             | 1,00                                |
|                                                                                     | Duct connector               | <input type="checkbox"/>            |
|                                                                                     | for duct width               | 130,00 mm                           |
|                                                                                     | for trunking height          | 53,00 mm                            |
|                                                                                     | Halogen-free                 | <input checked="" type="checkbox"/> |
|                                                                                     | Cable retaining clip         | <input type="checkbox"/>            |
|                                                                                     | Cover mounting type          | Cross-over                          |
|                                                                                     | Mounting perforation in base | <input type="checkbox"/>            |
|                                                                                     | Cover width                  | 0 mm                                |
|                                                                                     | Cover width 2                | 0,00 mm                             |
|                                                                                     | Cover width 3                | 0,00 mm                             |
|                                                                                     | Protective film              | <input type="checkbox"/>            |
|                                                                                     | Symmetrical                  | <input type="checkbox"/>            |