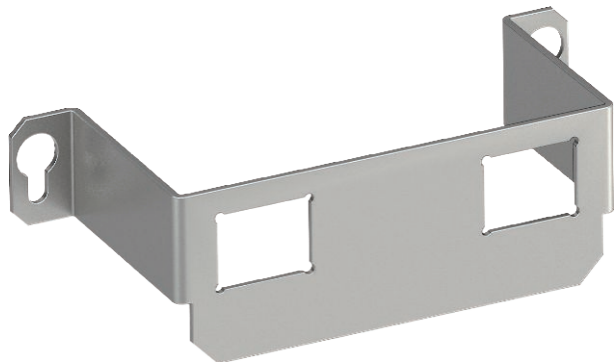


Technical data sheet

Mounting support, 2 x type C

Item no. 7407596



Mounting support to accept two data connection modules of the following types: Brand-Rex: shielded; E-KU: E-Stone; Dätwyler: KS-T, MS-K and KU-T module; R&M: Snap-In and Keystone; Rutenbeck: UM and UMflex; SETEC: MKJ, UKJ and XKJ; Siemon TERA; Telegärtner: AMJ and UMJ.

Dimensions of a mounting opening in mm: 19.30 x 14.80.

Suitable for GE2 / UDHome2 installation unit with floor covering recess.



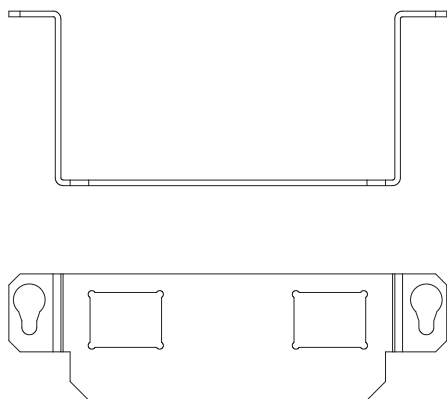
A2 Stainless steel, rustproof 1.4301

Additional product text, instruction: Suitable for GE2 installation unit with floor covering recess.

Master data

Item no.	7407596
Type	MTGE2 15 2C
Description 1	Mounting plate for GE2 17
Description 2	with 2x hole pattern type C
Dimension	118x47x34
Material	Stainless steel, material no. 1.4301
Material symbol	A2
Smallest sales unit (VG)	1,00 Piece
Weight	5,50 kg/100 pc.

Technical data



Length	118,00 mm
Version	Support shape
Fastening type	Lock
Labelling panel	<input type="checkbox"/>
Floor covering protection frame	<input type="checkbox"/>
Floor plate	<input type="checkbox"/>
Lowerable to be flushfloor	<input type="checkbox"/>
Seal installation option	<input type="checkbox"/>
Installation opening for on-floor tank	<input type="checkbox"/>
Decouplable	<input type="checkbox"/>
Suitable for screed-flush closed underfloor ducts	<input checked="" type="checkbox"/>
Suitable for screed-covered underfloor ducts	<input checked="" type="checkbox"/>
Suitable for raised floor installation	<input checked="" type="checkbox"/>
Suitable for cavity floor installation	<input checked="" type="checkbox"/>
Suitable for underfloor ducts	<input checked="" type="checkbox"/>

Technical data sheet

Mounting support, 2 x type C

Item no. 7407596



Technical data

With floor covering recess	<input type="checkbox"/>
Installation type	Screw
Schwerlastausführung	<input type="checkbox"/>
Depth	47,00 mm
Strain relief option	<input checked="" type="checkbox"/>