

# Technical data sheet

## Wall and support bracket AWG 15

Item no. 6420634



Light-duty wall and support bracket with welded head plate for screwless mesh cable tray fastening.



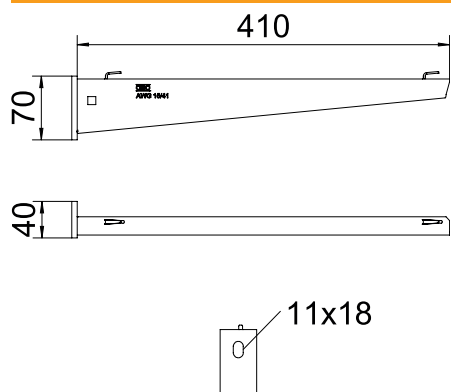
|           |                                   |
|-----------|-----------------------------------|
| <b>A2</b> | Stainless steel, rustproof 1.4301 |
| <b>2B</b> | Bright, reworked                  |

Additional product text, instruction: Fastening of the bracket to the U support of width 400 mm or greater using a hexagonal bolt through both sides of the support. Please insert suitable spacers.

### Master data

|                          |                                      |
|--------------------------|--------------------------------------|
| Item no.                 | 6420634                              |
| Type                     | AWG 15 41 A2                         |
| Description 1            | Wall and support bracket             |
| Description 2            | for mesh cable tray                  |
| Dimension                | B410mm                               |
| Material                 | Stainless steel, material no. 1.4301 |
| Material symbol          | A2                                   |
| Surface                  | Bright, reworked                     |
| Surface symbol           | 2B                                   |
| Smallest sales unit (VG) | 1,00 Piece                           |
| Weight                   | 53,00 kg/100 pc.                     |

### Technical data



|  |                                     |
|--|-------------------------------------|
| Width  | 410,00 mm                           |
| Side height                                  | 70,00 mm                            |
| Dimension A                                  | 40,00 mm                            |
| Dimension B                                  | 410,00 mm                           |
| Dimension H                                  | 70,00 mm                            |
| Dimension L                                  | 410,00 mm                           |
| Hole diameter                                | 11,00 mm                            |
| Dimension value                              | 410 x 70                            |
| Version                                      | Wall and support brackets           |
| Version                                      | Wall and support bracket            |
| F in kN                                      | 1,50 kN                             |
| for width                                    | 400,00 mm                           |
| Suitable for maintaining electrical function | <input type="checkbox"/>            |
| Rustproof steel, pickled                     | <input checked="" type="checkbox"/> |
| Angle range                                  | 90,00 - 90,00 °                     |

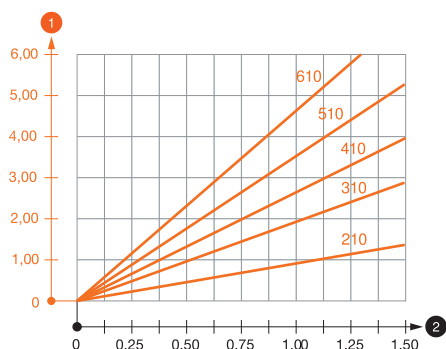
# Technical data sheet

## Wall and support bracket AWG 15

Item no. 6420634



### Load charts



Load values heading\_Characteristic anchor values

Footnote, load table

Characteristic anchor load values for wall and support bracket AW G 15

Wall bracket load

Max. total load  $F = \text{cable weight} + \text{cable tray} + \text{bracket}$ . The load capacity values increase considerably when used in uncracked concrete. The values given are based on concrete of strength class C20/25. Observe the installation conditions of the DIBt approval (anchors).

Load diagram, bracket type AW G 15

1 Bending of the bracket tip at permitted bracket load

2 Permitted bracket load in kN without man load

— Load curve with bracket lengths in mm

### Characteristic anchor load values for wall and support bracket AW G 15

| Bracket load |           |                         |      |      |      |      |      |
|--------------|-----------|-------------------------|------|------|------|------|------|
|              | Anchor    | Max. total load F in kN |      |      |      |      |      |
|              | Permitted | Bracket length in mm    |      |      |      |      |      |
|              | F kN      | 100                     | 200  | 300  | 400  | 500  | 600  |
|              | 3,57      | 1,09                    | 0,90 | 0,73 | 0,65 | 0,61 | 0,55 |

Max. total load  $F = \text{cable weight} + \text{cable tray} + \text{bracket}$ . The load capacity values increase considerably when used in uncracked concrete. The values given are based on concrete of strength class C20/25. Observe the installation conditions of the DIBt approval (anchors).

### Characteristic anchor load values for wall and support bracket AW G 15

|    |              |                         |      |      |      |      |      |
|----|--------------|-------------------------|------|------|------|------|------|
| T1 | Bracket load |                         |      |      |      |      |      |
| T2 | Anchor       | Max. total load F in kN |      |      |      |      |      |
| T3 | Permitted    | Bracket length in mm    |      |      |      |      |      |
| T4 | F kN         | 100                     | 200  | 300  | 400  | 500  | 600  |
|    | 3,57         | 1,09                    | 0,90 | 0,73 | 0,65 | 0,61 | 0,55 |