

Technical data sheet

Flat angle, trunking height 70 mm

Item no. 6279323



Flat angle for changing the direction of the Rapid 80 GA aluminium device installation trunking.



| | |
|-----|-----------|
| Alu | Aluminium |
| EL | Anodised |

Additional product text, instruction | The visible surfaces of the fittings are laminated.

Master data

| | |
|--------------------------|-------------------|
| Item no. | 6279323 |
| Type | GA-SF70130EL |
| Description 1 | Flat angle |
| Description 2 | symmetrical |
| Dimension | 70x130mm |
| Material | Aluminium |
| Material symbol | Alu |
| Surface | Anodised |
| Surface symbol | EL |
| Smallest sales unit (VG) | 1,00 Piece |
| Weight | 132,60 kg/100 pc. |

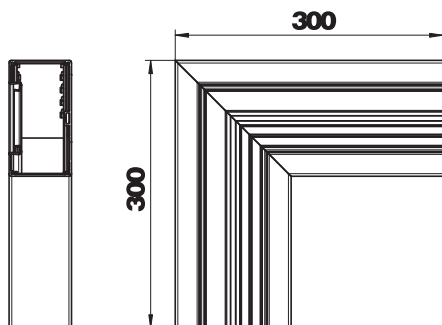
Technical data sheet

Flat angle, trunking height 70 mm

Item no. 6279323



Technical data



| | |
|------------------------------|-------------------------------------|
| Length | 300,00 mm |
| Width | 130,00 mm |
| Height | 70,00 mm |
| Number of covers | 1,00 |
| Version for | Base |
| for duct dimension | 70 x 130 mm |
| Halogen-free | <input checked="" type="checkbox"/> |
| Cable retaining clip | <input type="checkbox"/> |
| Duct connector | <input type="checkbox"/> |
| Cover mounting type | Internal |
| Mounting perforation in base | <input type="checkbox"/> |
| Cover width | 80 mm |
| Change of direction | Vertical rising |
| Protective film | <input checked="" type="checkbox"/> |
| Symmetrical | <input checked="" type="checkbox"/> |
| Angle range | 90,00 - 90,00 ° |