

Technical data sheet

TP wall and ceiling bracket

Item no. 6365995



TP wall and ceiling bracket with clamping lugs for screwless mesh cable tray fastening.



A2 Stainless steel, rustproof 1.4301
2B Bright, reworked

Additional product text, instruction
If the bracket is fastened directly to the wall or ceiling, then, for reasons of stability, always use the spacer, type DS 4.
Max. side height of the cable support system 60 mm.

Master data

| | |
|--------------------------|--------------------------------------|
| Item no. | 6365995 |
| Type | TPDG 345 A2 |
| Description 1 | Wall and ceiling strap |
| Description 2 | for mesh cable tray |
| Dimension | B345mm |
| Material | Stainless steel, material no. 1.4301 |
| Material symbol | A2 |
| Surface | Bright, reworked |
| Surface symbol | 2B |
| Smallest sales unit (VG) | 5,00 Piece |
| Weight | 81,00 kg/100 pc. |

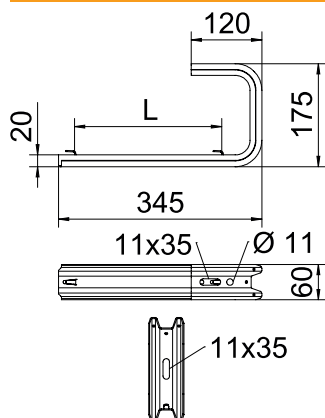
Technical data sheet

TP wall and ceiling bracket

Item no. 6365995



Technical data



| | |
|--|-------------------------------------|
| Width | 345,00 mm |
| Dimension B | 345,00 mm |
| Dimension H | 175,00 mm |
| Version | Suspension bracket (C clamp) |
| F in ceiling | 0,50 kN |
| F in kN wall | 0,55 kN |
| for width | 300,00 - 300,00 mm |
| Suitable for tray/ladder width | 300,00 mm |
| Suitable for maintaining electrical function | <input type="checkbox"/> |
| Suitable for cable tray | <input type="checkbox"/> |
| Suitable for cable ladder | <input type="checkbox"/> |
| Suitable for mesh cable tray | <input checked="" type="checkbox"/> |

Appr. load:

| | |
|-------------------------|---------|
| Anchor, approved F 1.65 | 1,65 kN |
| Anchor, approved F 3.57 | 3,57 kN |

Technical data sheet

TP wall and ceiling bracket

Item no. 6365995



Technical data

Appr. load:

Technical data sheet

TP wall and ceiling bracket

Item no. 6365995



Technical data

Appr. load: