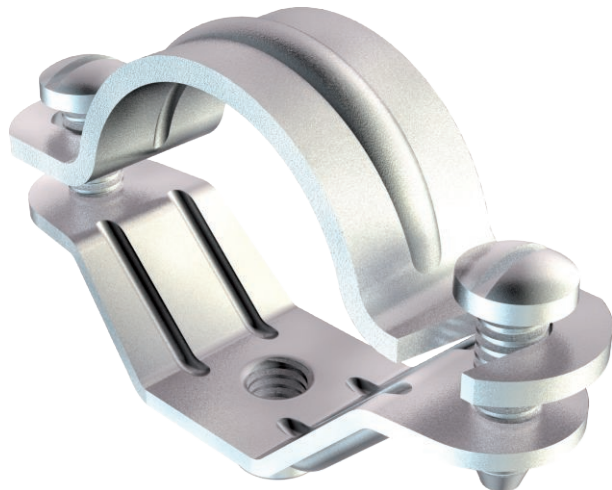


Technical data sheet

Screw-in spacer clip, universal

Item no. 1383426



With M6 thread.



St	Steel
G	Electrogalvanised

Master data

Item no.	1383426
Type	2900 M6 49-55 G
Description 1	Distance saddle
Description 2	with threaded connection M6
Dimension	49-55mm
Material	Steel
Material symbol	St
Surface	Electrogalvanised
Surface to DIN	DIN EN 12329
Surface symbol	G
Smallest sales unit (VG)	20,00 Piece
Weight	9,30 kg/100 pc.

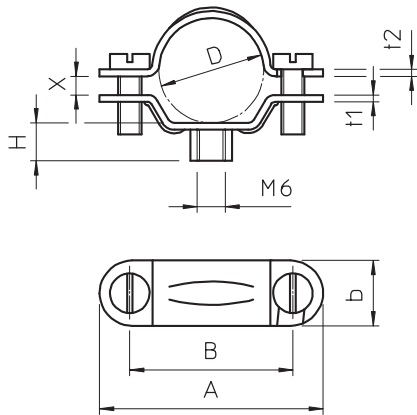
Technical data sheet

Screw-in spacer clip, universal

Item no. 1383426



Technical data



Length	102,00 mm
Width	18,00 mm
Dimension A	102,00 mm
Dimension B	86,00 mm
Dimension b	18,00 mm
Dimension D	54,00 mm
Dimension D	54,00 mm
Dimension H	8,00 mm
Dimension L	102,00 mm
Dimension t1	2,00 mm
Dimension t2	2,00 mm
Dimension x	5,50 mm
Version	Closed
Fastening type	Screw hole
Size	M50
Halogen-free	<input type="checkbox"/>
Plastic coated	<input type="checkbox"/>
Hole size	M6 mm
Material thickness	2,00 mm
Bolt	M6 x 15
Clamping range D	49,00 - 55,00 mm
UV-resistant	<input checked="" type="checkbox"/>