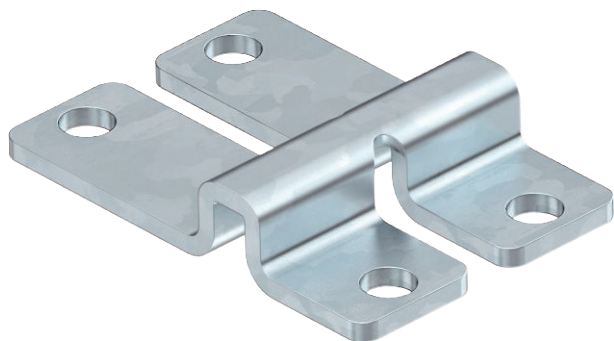


Technical data sheet

Wall clamp and central hanger



Item no. 6017160



Fastening component for direct mounting of mesh cable trays to the wall and floor. Can be screwed or riveted on.

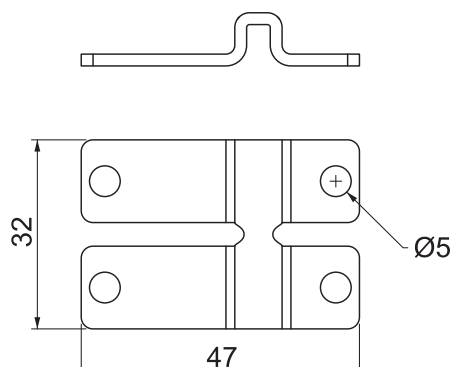


St	Steel
FT	Hot-dip galvanised

Master data

Item no.	6017160
Type	WB GR FT
Description 1	Wall clamp and central hanger
Description 2	for cable tray to rivet/screw
Dimension	47x32x9
Material	Steel
Material symbol	St
Surface	Hot-dip galvanised
Surface to DIN	DIN EN ISO 1461
Surface symbol	FT
Smallest sales unit (VG)	20,00 Piece
Weight	2,54 kg/100 pc.

Technical data



Dimension	47x32x9 mm
Version	For wire thickness 6.0 mm
Suitable for cable tray	<input type="checkbox"/>
Suitable for mesh cable tray	<input checked="" type="checkbox"/>
Suitable for cable ladder	<input type="checkbox"/>
Suitable for maintaining electrical function	<input type="checkbox"/>
Hole diameter	5,00 mm
With screw accessories	<input type="checkbox"/>
Rustproof steel, pickled	<input type="checkbox"/>