

Technical data sheet

PV SurgeController V20, plug-in arrester, type 2

Item no. 5099708



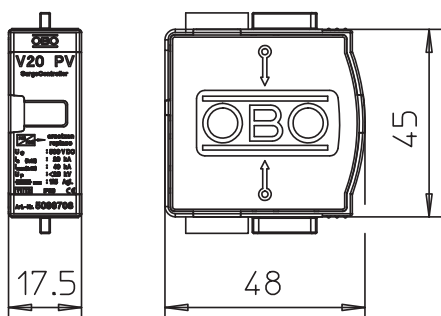
SurgeController upper part - type 2, surge arrester for photovoltaic systems

- For surge protection equipotential bonding to VDE 0100-443 (IEC 60364-4-44)
- Arresting capacity to 40 kA (8/20) per pole
- Low DC voltage protection level: < 2.0 kV per pole (Y circuit: 4.0 kV and $V_{oc\ max} = 1,000V\ DC$)
- Plug-in arrester with thermodynamic cut-off unit and visual function display
- Encapsulated, non-extinguishing zinc oxide varistor arrester for use in distributor housings
- High current carrying capacity with long lifespan

Application example: PV systems with or without separated insulated lightning protection system



Dimensions



Master data

Item no.	5099708
Type	V20-C 0-500PV
Description 1	SurgeController V20
Description 2	plug-in arrester f. PV systems
Dimension	500V DC
Smallest sales unit (VG)	1,00 Piece
Weight	6,50 kg/100 pc.

Technical data sheet

PV SurgeController V20, plug-in arrester, type 2

Item no. 5099708



Technical data



SPD to EN 61643-11	Type 2
SPD to IEC 61643-11	Class II
Test class, type 2	<input checked="" type="checkbox"/>
Nominal voltage	400,00 V
Maximum continuous voltage AC	440,00 V
Max. continuous operating voltage	440,00 V
Maximum continuous voltage DC	500,00 V
U max DC	500,00 V
Nominal discharge current (8/20)	20 kA
Maximum discharge current (8/20 µs)	40,00 kA
Protection level	< 2,0 kV
Response time	< 25 ns
Maximum back-up fuse	125,00 A
Temperature range	-40-+80 °C
Pole version	1
Version	1-pole, PV upper part with Y base to 1,000 V DC
Version	1-pole
Mounting type	On basic element
Installation type	On basic element
Protection rating	IP20
Protection rating	IP 20
Size	1 part unit
Division unit TE (17.5 mm)	1
Remote signalling	<input type="checkbox"/>
Integrated back-up fuse	<input type="checkbox"/>
Connection cross-section, flexible	2,50 - 25,00 mm ²
Connection cross-section, rigid	2,50 - 35,00 mm ²
Connection cross-section, multi-wire	2,50 - 35,00 mm ²
Signalling on device	Visual