

Technical data sheet

MultiBase base + NPE

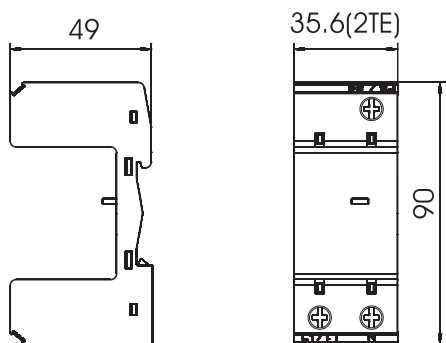
Item no. 5096669



- Suitable for V 25-B+C, V 20-C and V10-C
- Pre-mounted and ready for connection
- Multifunction terminals for easy connection to series-mounted devices
- Upper parts can be rotated through 180 degrees
- For TN-S and TT network systems



Dimensions



Master data

Item no.	5096669
Type	MB 3+NPE
Description 1	MultiBase
Description 2	3-pole + NPE
Dimension	3+NPE
Smallest sales unit (VG)	1,00 Piece
Weight	20,00 kg/100 pc.

Technical data sheet

MultiBase base + NPE

Item no. 5096669



Technical data

Temperature range	-40+80 °C
Pole version	3+N/PE
Version	3+NPE
Version	3 + NPE
Mounting type	Hat rail 35 mm
Installation type	DIN rail 35 mm
Protection rating	IP20
Protection rating	IP 20
Division unit TE (17.5 mm)	4
Connection cross-section, flexible	2,50 - 25,00 mm ²
Connection cross-section, rigid	2,50 - 35,00 mm ²
Connection cross-section, multi-wire	2,50 - 35,00 mm ²