

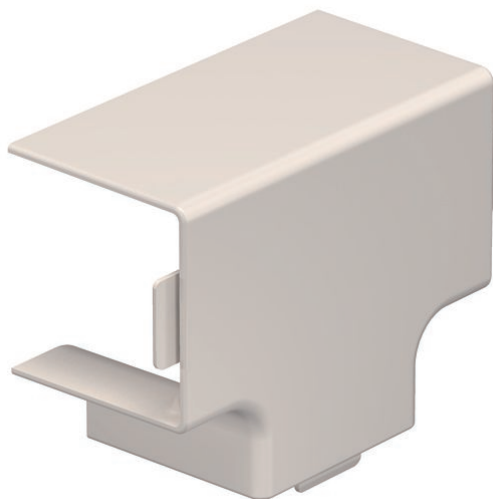
# Technical data sheet

## T and cross piece hood, for trunking type WDK 40040

Item no. 6161995



T and cross-piece hood for changing the direction of the WDK trunking. The fitting is preperforated at the side for the connection of different trunking cross-sections.



**PVC** Polyvinylchloride

### Master data

|                          |                         |
|--------------------------|-------------------------|
| Item no.                 | 6161995                 |
| Type                     | WDK HT40040CW           |
| Description 1            | T- and crosspiece cover |
| Dimension                | 40x40mm                 |
| Colour                   | Cream                   |
| RAL number               | 9001                    |
| Material                 | Polyvinylchloride       |
| Material symbol          | PVC                     |
| Smallest sales unit (VG) | 4,00 Piece              |
| Weight                   | 2,68 kg/100 pc.         |

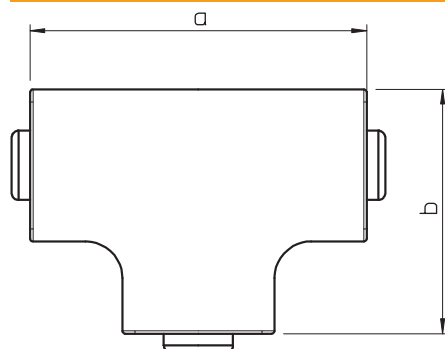
# Technical data sheet

T and cross piece hood, for trunking type WDK 40040

Item no. 6161995



## Technical data



|  |                          |
|--|--------------------------|
| Length                                       | 83,00 mm                 |
| Width  | 40,00 mm                 |
| Height                                       | 40,00 mm                 |
| Dimension H                                  | 40,00 mm                 |
| Dimension a                                  | 83,00 mm                 |
| Dimension b                                  | 43,00 mm                 |
| Version for                                  | Hood fitting             |
| Fastening type                               | Lockable                 |
| for duct dimension                           | 40 x 40                  |
| Suitable for maintaining electrical function | <input type="checkbox"/> |
| Duct depth                                   | 40,00 mm                 |