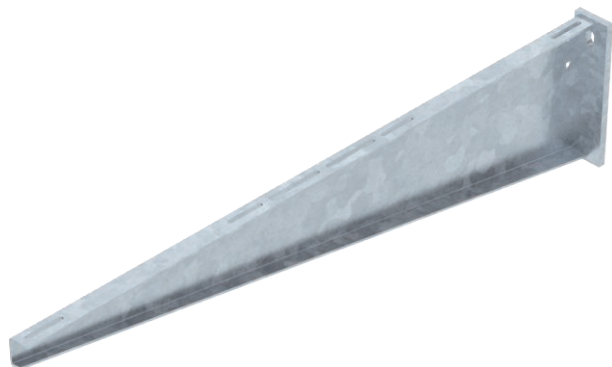


Technical data sheet

Wall and support bracket AW 55

Item no. 6418724



Heavy-duty wall and support bracket with welded head plate.



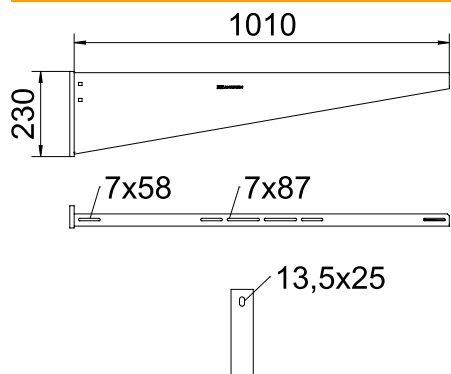
St	Steel
FT	Hot-dip galvanised

Additional product text, instruction: Fastening of the bracket to the U support of width 400 mm or greater using a hexagonal bolt through both sides of the support. Please insert suitable spacers.

Master data

Item no.	6418724
Type	AW 55 101 FT
Description 1	Wall and Support bracket
Description 2	with welded head plate
Dimension	B1010mm
Material	Steel
Material symbol	St
Surface	Hot-dip galvanised
Surface to DIN	DIN EN ISO 1461
Surface symbol	FT
Smallest sales unit (VG)	1,00 Piece
Weight	640,00 kg/100 pc.

Technical data



Width	1.010,00 mm
Side height	230,00 mm
Dimension A	60,00 mm
Dimension B	1.010,00 mm
Dimension H	230,00 mm
Dimension L	1.010,00 mm
Hole diameter	13,50 mm
Dimension value	1010 x 230
Version	Wall and support brackets
Version	Wall and support bracket
F in kN	5,50 kN
Suitable for maintaining electrical function	<input type="checkbox"/>
Rustproof steel, pickled	<input type="checkbox"/>
Angle range	90,00 - 90,00 °

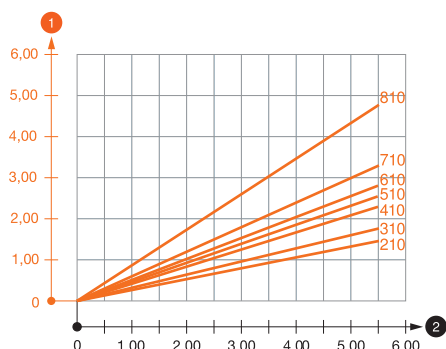
Technical data sheet

Wall and support bracket AW 55

Item no. 6418724



Load charts



Load values heading_ Characteristic anchor values
Heading, load table
Footnote, load table

Characteristic anchor load values for wall and support bracket AW 55

Wall bracket load

Max. total load F = cable weight + cable tray + bracket. The load capacity values increase considerably when used in uncracked concrete. The values given are based on concrete of strength class C20/25. Observe the installation conditions of the DIBt approval (anchors).

Load diagram, bracket, type AW 55

1 Bending of the bracket tip at permitted bracket load

2 Permitted bracket load in kN without man load

— Load curve with bracket lengths in mm

Characteristic anchor load values for wall and support bracket AW 55

Wall fastening		Max. load F [kN]						
		Bracket width [mm]						
Anchor type		210	310	410	510	560	610	710
BZ-U 10-10-30/90		2,20	2,10	2,00	1,90	1,90	1,80	1,75
BZ 12-15-35/110		3,80	3,50	3,50	3,25	3,30	3,00	3,00
SZ-B 18/0x142		4,10	4,06	4,02	3,83	3,83	3,56	2,88
		* Values with tray width 600						

Max. total load F = cable weight + cable tray + bracket. The load capacity values increase considerably when used in uncracked concrete. The values given are based on concrete of strength class C20/25. Observe the installation conditions of the DIBt approval (anchors).

Characteristic anchor load values for wall and support bracket AW 55

T1	Wall fastening							
T2		Max. load F [kN]						
T3		Bracket width [mm]						
T4	Anchor type	210	310	410	510	560	610	710
	BZ-U 10-10-30/90	2,2	2,1	2	1,9	1,9	1,8	1,75
	BZ 12-15-35/110	3,8	3,5	3,5	3,25	3,3	3	3
	SZ-B 18/0x142	4,10	4,06	4,02	3,83	3,83	3,56	2,88
Tsub		* Values with tray width 600						