

Technical data sheet

Wall and support bracket AW 15

Item no. 6392024



Light-duty wall and support bracket with welded head plate.



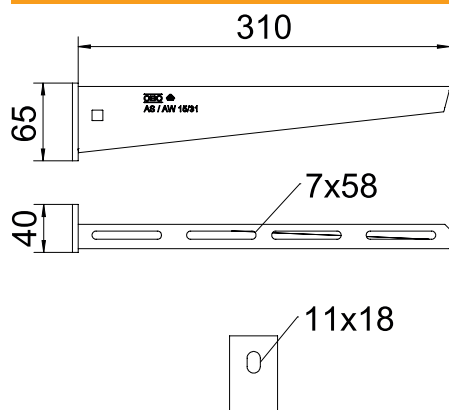
A4 Stainless steel, rustproof 1.4571
2B Bright, reworked

Additional product text, instruction | Fastening of the bracket to the U support of width 400 mm or greater using a hexagonal bolt through both sides of the support. Please insert suitable spacers.

Master data

Item no.	6392024
Type	AW 15 31 A4
Description 1	Wall and support bracket
Description 2	with welded head plate
Dimension	B310mm
Material	Stainless steel, material no. 1.4571
Material symbol	A4
Surface	Bright, reworked
Surface symbol	2B
Smallest sales unit (VG)	1,00 Piece
Weight	37,40 kg/100 pc.

Technical data



Length	310,00 mm
Width	310,00 mm
Side height	60,00 mm
Dimension A	40,00 mm
Dimension B	310,00 mm
Dimension H	65,00 mm
Dimension L	310,00 mm
Hole diameter	11,00 mm
Dimension value	310 x 60
Version	Wall and support brackets
Version	Wall and support bracket
F in kN	1,50 kN
Suitable for maintaining electrical function	<input type="checkbox"/>
Rustproof steel, pickled	<input checked="" type="checkbox"/>
Angle range	90,00 - 90,00 °

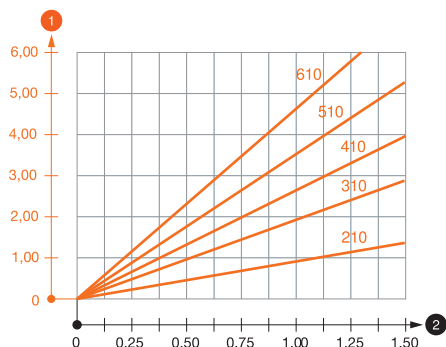
Technical data sheet

Wall and support bracket AW 15

Item no. 6392024



Load charts



Load values heading_Characteristic anchor values

Characteristic anchor load values for wall bracket AW 15

Footnote, load table

Wall bracket load

Max. total load F = cable weight + cable tray + bracket. The load capacity values increase considerably when used in uncracked concrete. The values given are based on concrete of strength class C20/25. Observe the installation conditions of the DIBt approval (anchors).

Load diagram, bracket AW 15 VA

1 Bending of the bracket tip at permitted bracket load

2 Permitted bracket load in kN without man load

— Load curve with bracket lengths in mm

Characteristic anchor load values for wall bracket AW 15

Bracket load							
	Anchor	Max. load F in kN					
	Permitted	Bracket length in mm					
	F kN	100	200	300	400	500	600
	3,57	1,09	0,90	0,73	0,65	0,61	0,55

Max. total load F = cable weight + cable tray + bracket. The load capacity values increase considerably when used in uncracked concrete. The values given are based on concrete of strength class C20/25. Observe the installation conditions of the DIBt approval (anchors).

Characteristic anchor load values for wall bracket AW 15

T1	Bracket load						
T2	Anchor	Max. load F in kN					
T3	Permitted	Bracket length in mm					
T4	F kN	100	200	300	400	500	600
	3,57	1,09	0,90	0,73	0,65	0,61	0,55