

Technical data sheet

TPSA TP support/wall and support bracket

Item no. 6364683



TP support/bracket for fastening to horizontal concrete ceilings and walls.



St	Steel
FT	Hot-dip galvanised

Additional product text, instruction
If the profile is fastened directly to the ceiling or the profile is screwed together as head reinforcement, then, for reasons of stability, always use the spacer, type DS 4.

Master data

Item no.	6364683
Type	TPSA 195 FT
Description 1	TP wall and support bracket
Description 2	use as support and bracket
Dimension	B195mm
Material	Steel
Material symbol	St
Surface	Hot-dip galvanised
Surface to DIN	DIN EN ISO 1461
Surface symbol	FT
Smallest sales unit (VG)	1,00 Piece
Weight	40,00 kg/100 pc.

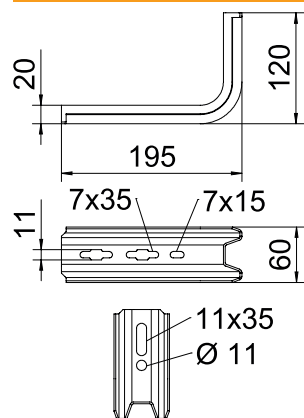
Technical data sheet

TPSA TP support/wall and support bracket

Item no. 6364683



Technical data



Length	195,00 mm
Width	195,00 mm
Side height	20,00 mm
Dimension B	195,00 mm
Dimension H	120,00 mm
Dimension value	20 x 60 x 2
Version	S profile
Version	Wall and support bracket
F in kN	1,00 kN
for width	150,00 - 150,00 mm
Suitable for maintaining electrical function	<input type="checkbox"/>
Rustproof steel, pickled	<input type="checkbox"/>

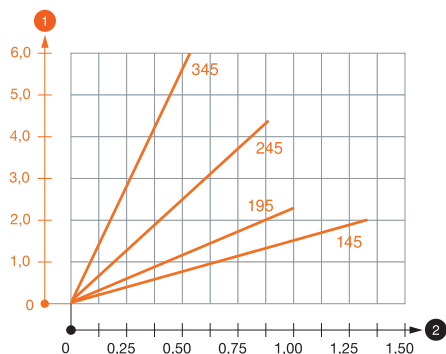
Technical data sheet

TPSA TP support/wall and support bracket

Item no. 6364683



Load charts



Load values heading_Characteristic anchor values
Footnote, load table

Characteristic anchor load values for TP bracket

Max. total load $F = \text{cable weight} + \text{cable tray} + \text{bracket}$. The load capacity values increase considerably when used in uncracked concrete. The values given are based on concrete of strength class C20/25. Observe the installation conditions of the DIBt approval (anchors).

1 Bending of the bracket tip at permitted bracket load

2 Permitted bracket load in kN without man load

— Load curve with bracket lengths in mm

Characteristic anchor load values for TP bracket

Wall fastening					
		Max. load F [kN]			
		Bracket width [mm]			
	Anchor type	145	195	245	345
	BZ-U 8-30-41/95	1,00	1,30	0,70	2,40
	BZ-U 10-30-50/110	1,50	1,00	0,90	0,55

Max. total load $F = \text{cable weight} + \text{cable tray} + \text{bracket}$. The load capacity values increase considerably when used in uncracked concrete. The values given are based on concrete of strength class C20/25. Observe the installation conditions of the DIBt approval (anchors).

Characteristic anchor load values for TP bracket

T1	Wall fastening				
T2		Max. load F [kN]			
T3		Bracket width [mm]			
T4	Anchor type	145	195	245	345
	BZ-U 8-30-41/95	1	1,3	0,7	2,4
	BZ-U 10-30-50/110	1,5	1	0,9	0,55