

# Technical data sheet

## TPSA TP support/wall and support bracket

Item no. 6364675



TP support/bracket for fastening to horizontal concrete ceilings and walls.



St	Steel
FT	Hot-dip galvanised

Additional product text, instruction | If the profile is fastened directly to the ceiling or the profile is screwed together as head reinforcement, then, for reasons of stability, always use the spacer, type DS 4.

### Master data

Item no.	6364675
Type	TPSA 345 FT
Description 1	TP wall and support bracket
Description 2	use as support and bracket
Dimension	B345mm
Material	Steel
Material symbol	St
Surface	Hot-dip galvanised
Surface to DIN	DIN EN ISO 1461
Surface symbol	FT
Smallest sales unit (VG)	1,00 Piece
Weight	62,00 kg/100 pc.

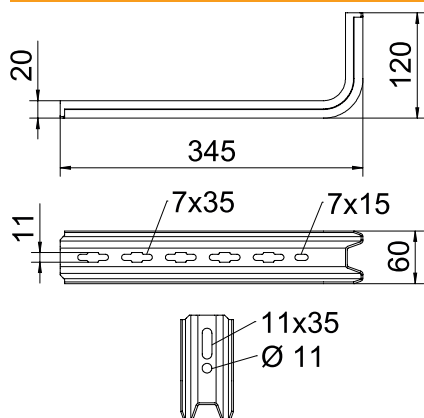
# Technical data sheet

## TPSA TP support/wall and support bracket

Item no. 6364675



### Technical data



Length	345,00 mm
Width	345,00 mm
Side height	20,00 mm
Dimension B	345,00 mm
Dimension H	120,00 mm
Dimension value	20 x 60 x 2
Version	S profile
Version	Wall and support bracket
F in kN	0,55 kN
for width	300,00 - 300,00 mm
Suitable for maintaining electrical function	<input type="checkbox"/>
Rustproof steel, pickled	<input type="checkbox"/>

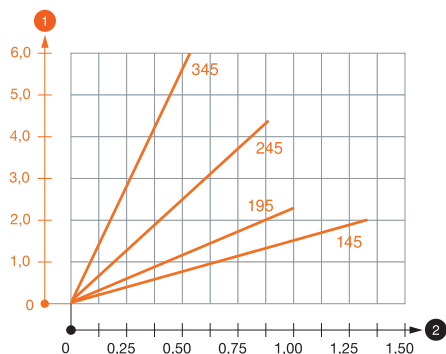
# Technical data sheet

## TPSA TP support/wall and support bracket

Item no. 6364675



### Load charts



Load values heading\_Characteristic anchor values  
Footnote, load table

Characteristic anchor load values for TP bracket

Max. total load  $F = \text{cable weight} + \text{cable tray} + \text{bracket}$ . The load capacity values increase considerably when used in uncracked concrete. The values given are based on concrete of strength class C20/25. Observe the installation conditions of the DIBt approval (anchors).

1 Bending of the bracket tip at permitted bracket load

2 Permitted bracket load in kN without man load

— Load curve with bracket lengths in mm

### Characteristic anchor load values for TP bracket

Wall fastening					
		Max. load $F$ [kN]			
		Bracket width [mm]			
	Anchor type	145	195	245	345
	BZ-U 8-30-41/95	1,00	1,30	0,70	2,40
	BZ-U 10-30-50/110	1,50	1,00	0,90	0,55

Max. total load  $F = \text{cable weight} + \text{cable tray} + \text{bracket}$ . The load capacity values increase considerably when used in uncracked concrete. The values given are based on concrete of strength class C20/25. Observe the installation conditions of the DIBt approval (anchors).

### Characteristic anchor load values for TP bracket

T1	Wall fastening				
T2		Max. load $F$ [kN]			
T3		Bracket width [mm]			
T4	Anchor type	145	195	245	345
	BZ-U 8-30-41/95	1	1,3	0,7	2,4
	BZ-U 10-30-50/110	1,5	1	0,9	0,55