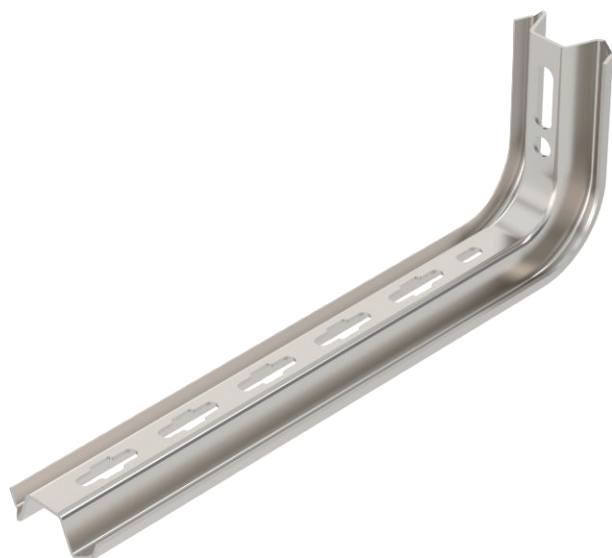


Technical data sheet

TPSA TP support/wall and support bracket

Item no. 6364881



TP support / bracket for the fastening to horizontal concrete ceilings and walls.



A2 Stainless steel, rustproof 1.4301
2B Bright, reworked

Additional product text, instruction | If the profile is fastened directly to the ceiling or the profile is screwed together as head reinforcement, then, for reasons of stability, always use the spacer, type DS 4.

Master data

Item no.	6364881
Type	TPSA 345 A2
Description 1	TP wall and support bracket
Description 2	use as support and bracket
Dimension	B345mm
Material	Stainless steel, material no. 1.4301
Material symbol	A2
Surface	Bright, reworked
Surface symbol	2B
Smallest sales unit (VG)	1,00 Piece
Weight	59,00 kg/100 pc.

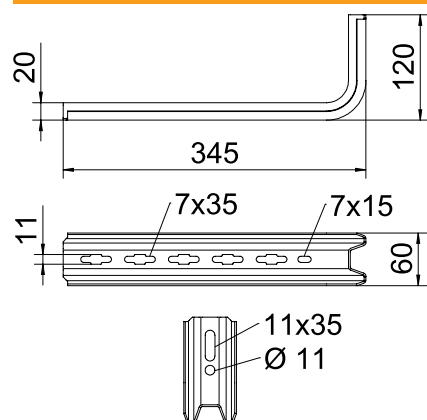
Technical data sheet

TPSA TP support/wall and support bracket

Item no. 6364881



Technical data



Width	345,00 mm
Dimension B	345,00 mm
Dimension H	120,00 mm
Dimension value	20 x 60 x 2
Version	S profile
Version	Wall and support bracket
F in kN	0,55 kN
for width	300,00 - 300,00 mm
Suitable for maintaining electrical function	<input type="checkbox"/>
Rustproof steel, pickled	<input type="checkbox"/>

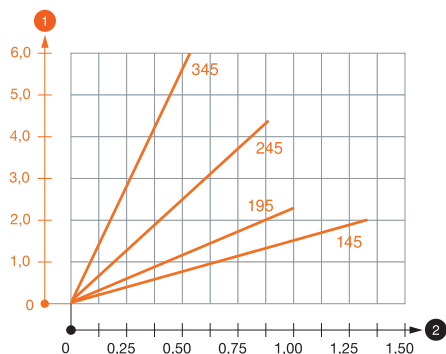
Technical data sheet

TPSA TP support/wall and support bracket

Item no. 6364881



Load charts



Load values heading_Characteristic anchor values
Footnote, load table

Characteristic anchor load values for TP bracket

Max. total load $F = \text{cable weight} + \text{cable tray} + \text{bracket}$. The load capacity values increase considerably when used in uncracked concrete. The values given are based on concrete of strength class C20/25. Observe the installation conditions of the DIBt approval (anchors).

Load diagram, bracket TPSA

1 Bending of the bracket tip at permitted bracket load

2 Permitted bracket load in kN without man load

— Load curve with bracket lengths in mm

Characteristic anchor load values for TP bracket

Wall fastening		Max. load F [kN]			
		Bracket width [mm]			
	Anchor type	145	195	245	345
	BZ-U 8-30/95	1,00	1,30	0,70	2,40
	BZ-U 10-30/110	1,50	1,00	0,90	0,55

Max. total load $F = \text{cable weight} + \text{cable tray} + \text{bracket}$. The load capacity values increase considerably when used in uncracked concrete. The values given are based on concrete of strength class C20/25. Observe the installation conditions of the DIBt approval (anchors).

Characteristic anchor load values for TP bracket

T1	Wall fastening				
T2		Max. load F [kN]			
T3		Bracket width [mm]			
T4	Anchor type	145	195	245	345
	BZ-U 8-30/95	1	1,3	0,7	2,4
	BZ-U 10-30/110	1,5	1	0,9	0,55