

Technical data sheet

TPSA TP support/wall and support bracket

Item no. 6364876



TP support / bracket for the fastening to horizontal concrete ceilings and walls.



A2 Stainless steel, rustproof 1.4301
2B Bright, reworked

Additional product text, instruction | If the profile is fastened directly to the ceiling or the profile is screwed together as head reinforcement, then, for reasons of stability, always use the spacer, type DS 4.

Master data

| | |
|--------------------------|--------------------------------------|
| Item no. | 6364876 |
| Type | TPSA 245 A2 |
| Description 1 | TP wall and support bracket |
| Description 2 | use as support and bracket |
| Dimension | 245x60x120 |
| Material | Stainless steel, material no. 1.4301 |
| Material symbol | A2 |
| Surface | Bright, reworked |
| Surface symbol | 2B |
| Smallest sales unit (VG) | 1,00 Piece |
| Weight | 45,00 kg/100 pc. |

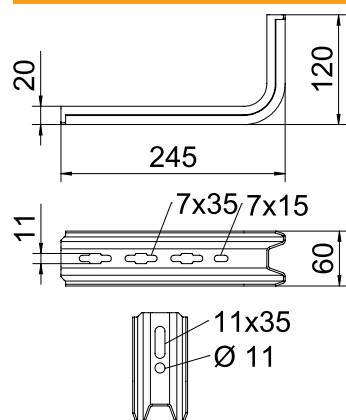
Technical data sheet

TPSA TP support/wall and support bracket

Item no. 6364876



Technical data



| | |
|--|--------------------------|
| Width | 245,00 mm |
| Dimension B | 245,00 mm |
| Dimension H | 120,00 mm |
| Dimension value | 20 x 60 x 2 |
| Version | S profile |
| Version | Wall and support bracket |
| F in kN | 0,90 kN |
| for width | 200,00 - 200,00 mm |
| Suitable for maintaining electrical function | <input type="checkbox"/> |
| Rustproof steel, pickled | <input type="checkbox"/> |

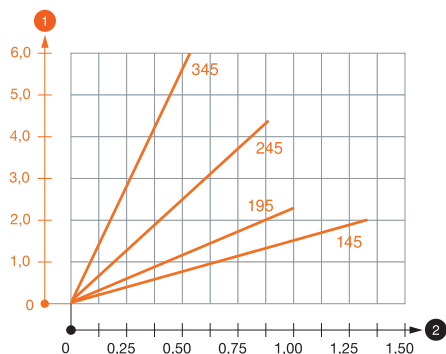
Technical data sheet

TPSA TP support/wall and support bracket

Item no. 6364876



Load charts



Load values heading_Characteristic anchor values
Footnote, load table

Characteristic anchor load values for TP bracket

Max. total load $F = \text{cable weight} + \text{cable tray} + \text{bracket}$. The load capacity values increase considerably when used in uncracked concrete. The values given are based on concrete of strength class C20/25. Observe the installation conditions of the DIBt approval (anchors).

Load diagram, bracket TPSA

1 Bending of the bracket tip at permitted bracket load

2 Permitted bracket load in kN without man load

— Load curve with bracket lengths in mm

Characteristic anchor load values for TP bracket

| Wall fastening | | Max. load F [kN] | | | |
|----------------|--|--------------------|------|------|------|
| | | Bracket width [mm] | | | |
| Anchor type | | 145 | 195 | 245 | 345 |
| BZ-U 8-30/95 | | 1,00 | 1,30 | 0,70 | 2,40 |
| BZ-U 10-30/110 | | 1,50 | 1,00 | 0,90 | 0,55 |

Max. total load $F = \text{cable weight} + \text{cable tray} + \text{bracket}$. The load capacity values increase considerably when used in uncracked concrete. The values given are based on concrete of strength class C20/25. Observe the installation conditions of the DIBt approval (anchors).

Characteristic anchor load values for TP bracket

| | | | | | |
|----|----------------|--------------------|-----|-----|------|
| T1 | Wall fastening | | | | |
| T2 | | Max. load F [kN] | | | |
| T3 | | Bracket width [mm] | | | |
| T4 | Anchor type | 145 | 195 | 245 | 345 |
| | BZ-U 8-30/95 | 1 | 1,3 | 0,7 | 2,4 |
| | BZ-U 10-30/110 | 1,5 | 1 | 0,9 | 0,55 |