

Technical data sheet

Bracket TPSA

Item no. 6364152



Bracket for mounting on TPS suspended supports or as wall bracket for standard cable tray routing type for function maintenance to DIN 4102 Part 12.

St	Steel
FS	Strip galvanised

Master data

Item no.	6364152
Type	TPSA 195 FS
Description 1	TP wall and support bracket
Description 2	use as support and bracket
Dimension	B195mm
Material	Steel
Material symbol	St
Surface	Strip galvanised
Surface to DIN	DIN EN 10346
Surface symbol	FS
Smallest sales unit (VG)	1,00 Piece
Weight	39,20 kg/100 pc.

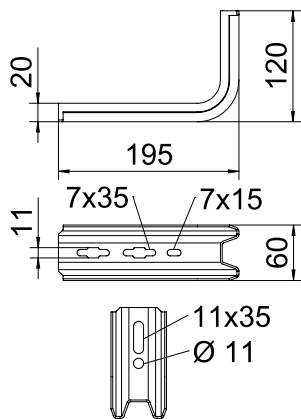
Technical data sheet

Bracket TPSA

Item no. 6364152



Technical data



Length	195,00 mm
Width	60,00 mm
Side height	20,00 mm
Dimension B	195,00 mm
Dimension H	120,00 mm
Dimension value	20 x 60 x 2
Version	Wall bracket
Version	Wall and support bracket
F in kN	1,00 kN
for width	100,00 mm
Suitable for maintaining electrical function	<input checked="" type="checkbox"/>
Rustproof steel, pickled	<input type="checkbox"/>

Load charts