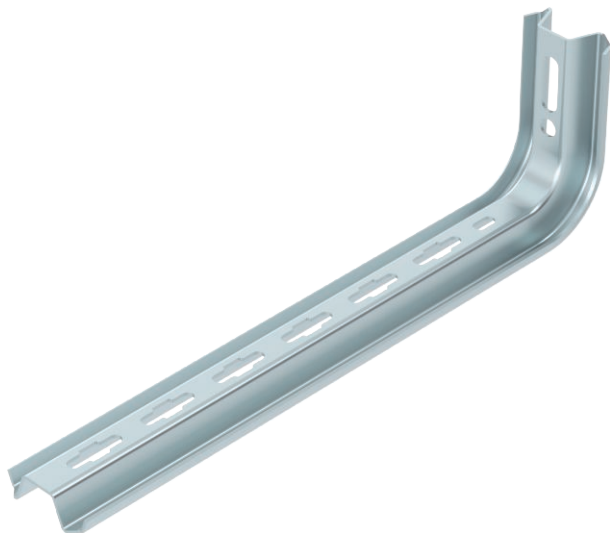


Technical data sheet

Bracket TPSA

Item no. 6364276



Bracket for mounting on TPS suspended supports or as wall bracket for standard cable tray routing type for function maintenance to DIN 4102 Part 12.

St	Steel
FS	Strip galvanised

Master data

Item no.	6364276
Type	TPSA 395 FS
Description 1	TP wall and support bracket
Description 2	use as support and bracket
Dimension	B395mm
Material	Steel
Material symbol	St
Surface	Strip galvanised
Surface to DIN	DIN EN 10346
Surface symbol	FS
Smallest sales unit (VG)	1,00 Piece
Weight	65,00 kg/100 pc.

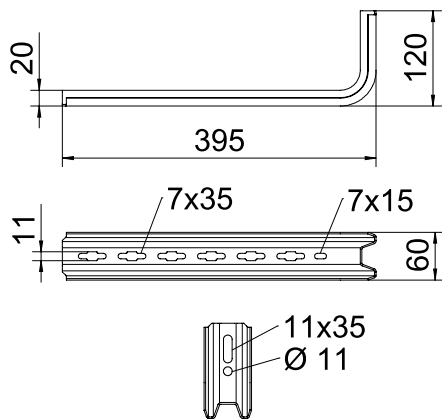
Technical data sheet

Bracket TPSA

Item no. 6364276



Technical data



Length	395,00 mm
Width	60,00 mm
Side height	20,00 mm
Dimension B	395,00 mm
Dimension value	20 x 60 x 2
Version	Wall bracket
Version for width	Wall and support bracket
Suitable for maintaining electrical function	<input checked="" type="checkbox"/>
Rustproof steel, pickled	<input type="checkbox"/>

Load charts