

Technical data sheet

TP wall and ceiling bracket

Item no. 6363869



TP wall and ceiling bracket for universal use.



St	Steel
FT	Hot-dip galvanised

Additional product text, instruction	Important! If the ceiling bracket is fastened directly to the wall or ceiling, then, for reasons of stability, always use the spacer, type DS 4. Max. side height of the cable support system 60 mm.
--------------------------------------	---

Master data

Item no.	6363869
Type	TPD 345 FT
Description 1	Wall and ceiling strap
Description 2	TP profile
Dimension	B345mm
Material	Steel
Material symbol	St
Surface	Hot-dip galvanised
Surface to DIN	DIN EN ISO 1461
Surface symbol	FT
Smallest sales unit (VG)	1,00 Piece
Weight	83,00 kg/100 pc.

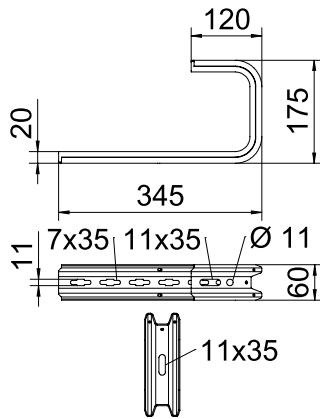
Technical data sheet

TP wall and ceiling bracket

Item no. 6363869



Technical data



Length	345,00 mm
Width	345,00 mm
Dimension B	345,00 mm
Dimension H	175,00 mm
Version	Suspension bracket (C clamp)
F in ceiling	0,50 kN
F in kN wall	0,55 kN
for width	300,00 - 300,00 mm
Suitable for tray/ladder width	300,00 mm
Suitable for maintaining electrical function	<input type="checkbox"/>
Suitable for cable tray	<input checked="" type="checkbox"/>
Suitable for cable ladder	<input checked="" type="checkbox"/>
Suitable for mesh cable tray	<input checked="" type="checkbox"/>

Appr. load:

Anchor, approved F 1.65	1,65 kN
Anchor, approved F 3.57	3,57 kN

Technical data sheet

TP wall and ceiling bracket

Item no. 6363869



Technical data

Appr. load: