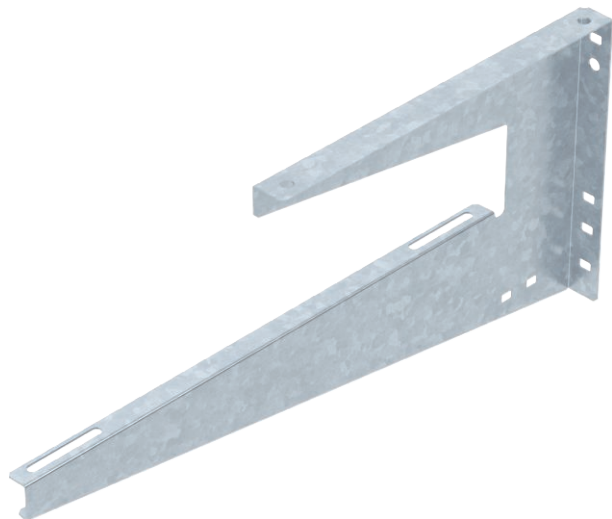


Technical data sheet

Wall and ceiling clamp

Item no. 6363730



Wall and ceiling clamp for universal structural fastening.

CE

St	Steel
FT	Hot-dip galvanised

Master data

Item no.	6363730
Type	WDB L 400 FT
Description 1	Wall and ceiling strap
Description 2	lightweight version
Dimension	B400mm
Material	Steel
Material symbol	St
Surface	Hot-dip galvanised
Surface to DIN	DIN EN ISO 1461
Surface symbol	FT
Smallest sales unit (VG)	1,00 Piece
Weight	78,00 kg/100 pc.

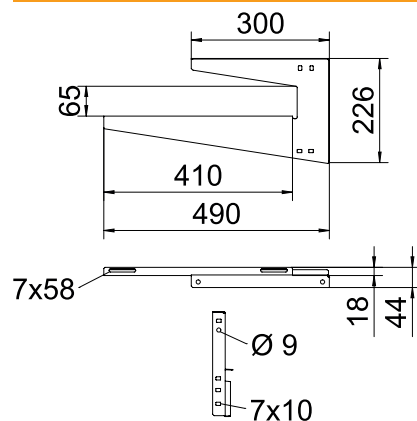
Technical data sheet

Wall and ceiling clamp

Item no. 6363730



Technical data



Length	490,00 mm
Width	410,00 mm
Height	226,00 mm
Dimension B	410,00 mm
Dimension H	226,00 mm
Dimension h1	65,00 mm
Dimension L	490,00 mm
Version	Suspension bracket (C clamp)
Tray fastening	Screw-on
F in ceiling	0,12 kN
F in kN wall	0,12 kN
for width	400,00 mm
for threaded rod	M8
For metric threaded rod	8,00
Suitable for tray/ladder width	400,00 mm
Suitable for maintaining electrical function	<input type="checkbox"/>
Suitable for cable tray	<input checked="" type="checkbox"/>
Suitable for cable ladder	<input checked="" type="checkbox"/>
Suitable for mesh cable tray	<input checked="" type="checkbox"/>
Hole diameter	7,00 mm
Material thickness	1,25 mm
Adjustable	<input type="checkbox"/>

Appr. load:

Technical data sheet

Wall and ceiling clamp

Item no. 6363730



Technical data

Appr. load: