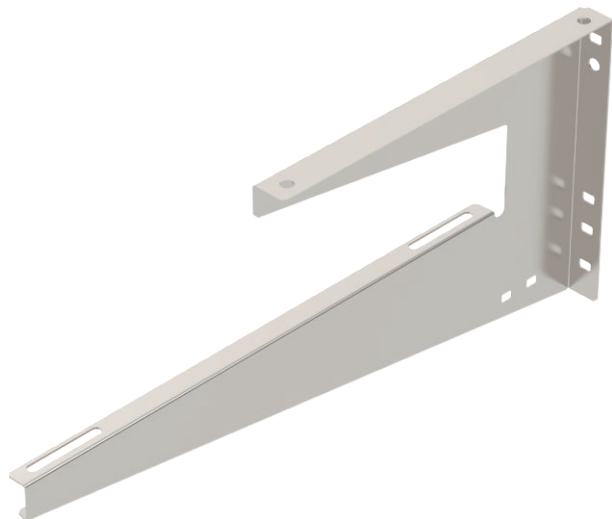


# Technical data sheet

## Wall and ceiling clamp

Item no. 6363750



Wall and ceiling clamp for universal structural fastening.



<b>A2</b>	Stainless steel, rustproof 1.4301
<b>2B</b>	Bright, reworked

### Master data

Item no.	6363750
Type	WDB L 400 A2
Description 1	Wall and ceiling strap
Description 2	lightweight version
Dimension	B400mm
Material	Stainless steel, material no. 1.4301
Material symbol	A2
Surface	Bright, reworked
Surface symbol	2B
Smallest sales unit (VG)	1,00 Piece
Weight	73,00 kg/100 pc.

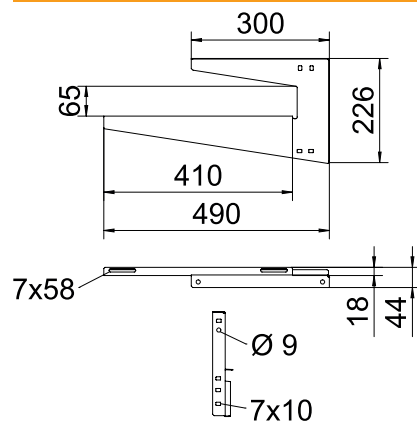
# Technical data sheet

## Wall and ceiling clamp

Item no. 6363750



### Technical data



Length	490,00 mm
Width	410,00 mm
Height	226,00 mm
Dimension B	410,00 mm
Dimension H	226,00 mm
Dimension h1	65,00 mm
Dimension L	490,00 mm
Version	Suspension bracket (C clamp)
Tray fastening	Screw-on
F in ceiling	0,12 kN
F in kN wall	0,12 kN
for width	400,00 mm
for threaded rod	M8
For metric threaded rod	8,00
Suitable for tray/ladder width	400,00 mm
Suitable for maintaining electrical function	<input type="checkbox"/>
Suitable for cable tray	<input checked="" type="checkbox"/>
Suitable for cable ladder	<input checked="" type="checkbox"/>
Suitable for mesh cable tray	<input checked="" type="checkbox"/>
Hole diameter	7,00 mm
Material thickness	1,25 mm
Adjustable	<input type="checkbox"/>

### Appr. load:

# Technical data sheet

Wall and ceiling clamp

Item no. 6363750



Technical data

Appr. load: