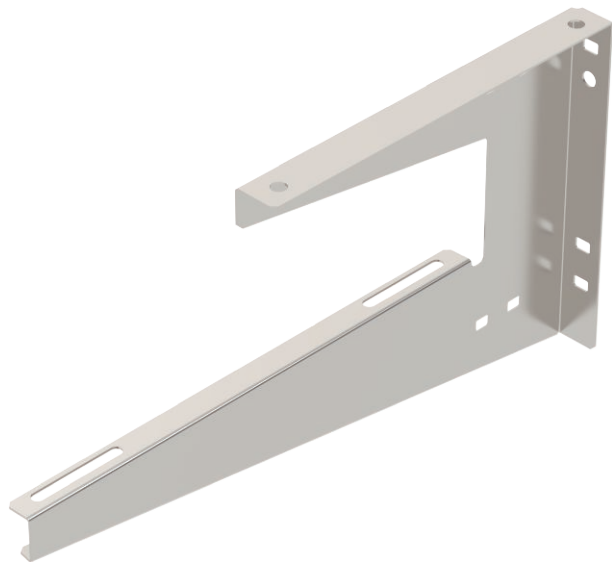


# Technical data sheet

## Wall and ceiling clamp

Item no. 6363748



Wall and ceiling clamp for universal structural fastening.



**A2** Stainless steel, rustproof 1.4301  
**2B** Bright, reworked

### Master data

|                          |                                      |
|--------------------------|--------------------------------------|
| Item no.                 | 6363748                              |
| Type                     | WDB L 300 A2                         |
| Description 1            | Wall and ceiling strap               |
| Description 2            | lightweight version                  |
| Dimension                | B300mm                               |
| Material                 | Stainless steel, material no. 1.4301 |
| Material symbol          | A2                                   |
| Surface                  | Bright, reworked                     |
| Surface symbol           | 2B                                   |
| Smallest sales unit (VG) | 1,00 Piece                           |
| Weight                   | 52,00 kg/100 pc.                     |

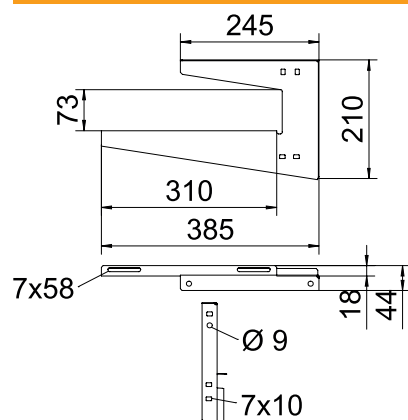
# Technical data sheet

## Wall and ceiling clamp

Item no. 6363748



### Technical data



|  |                                     |
|--|-------------------------------------|
| Length                                       | 385,00 mm                           |
| Width  | 310,00 mm                           |
| Height                                       | 210,00 mm                           |
| Dimension B                                  | 310,00 mm                           |
| Dimension H                                  | 210,00 mm                           |
| Dimension h1                                 | 73,00 mm                            |
| Dimension L                                  | 385,00 mm                           |
| Version                                      | Suspension bracket (C clamp)        |
| Tray fastening                               | Screw-on                            |
| F in ceiling                                 | 0,20 kN                             |
| F in kN wall                                 | 0,20 kN                             |
| for width                                    | 300,00 mm                           |
| for threaded rod                             | M8                                  |
| For metric threaded rod                      | 8,00                                |
| Suitable for tray/ladder width               | 300,00 mm                           |
| Suitable for maintaining electrical function | <input type="checkbox"/>            |
| Suitable for cable tray                      | <input checked="" type="checkbox"/> |
| Suitable for cable ladder                    | <input checked="" type="checkbox"/> |
| Suitable for mesh cable tray                 | <input checked="" type="checkbox"/> |
| Hole diameter                                | 7,00 mm                             |
| Material thickness                           | 1,25 mm                             |
| Adjustable                                   | <input type="checkbox"/>            |

### Appr. load:

# Technical data sheet

Wall and ceiling clamp

Item no. 6363748



Technical data

Appr. load: