

Technical data sheet

Wall and support bracket AW 15 2L

Item no. 6420924



Wall and support bracket with welded head plate and two fastening holes.



St	Steel
FT	Hot-dip galvanised

Additional product text, instruction | The double-perforated bracket offers the special option of double anchoring on lightweight partitions and light masonry.

Master data

Item no.	6420924
Type	AW 15 51 FT 2L
Description 1	Wall and support bracket
Description 2	with 2 fastening holes
Dimension	B510mm
Material	Steel
Material symbol	St
Surface	Hot-dip galvanised
Surface to DIN	DIN EN ISO 1461
Surface symbol	FT
Smallest sales unit (VG)	1,00 Piece
Weight	72,00 kg/100 pc.

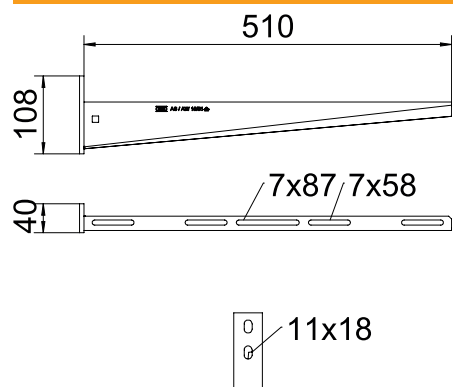
Technical data sheet

Wall and support bracket AW 15 2L

Item no. 6420924



Technical data



Width	510,00 mm
Dimension A	40,00 mm
Dimension B	510,00 mm
Dimension H	72,00 mm
Hole diameter	11,00 mm
Dimension value	510x72
Version	Wall and support brackets
Version	Wall and support bracket
F in kN	1,50 kN
Suitable for maintaining electrical function	<input type="checkbox"/>
Rustproof steel, pickled	<input type="checkbox"/>
Angle range	90,00 - 90,00 °

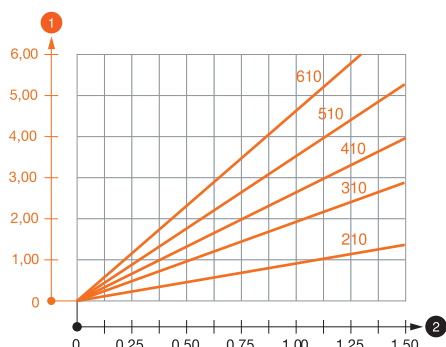
Technical data sheet

Wall and support bracket AW 15 2L

Item no. 6420924



Load charts



Load values heading_Characteristic anchor values
Heading, load table
Footnote, load table

Characteristic anchor load values for wall bracket AW 15

Wall bracket load

Max. total load $F = \text{cable weight} + \text{cable tray} + \text{bracket}$. The load capacity values increase considerably when used in uncracked concrete. The values given are based on concrete of strength class C20/25. Observe the installation conditions of the DIBt approval (anchors).

Load diagram, bracket, type AW 15

1 Bending of the bracket tip at permitted bracket load

2 Permitted bracket load in kN without man load

— Load curve with bracket lengths in mm

Characteristic anchor load values for wall bracket AW 15

Wall fastening		Max. load F [kN]							
		Bracket width [mm]							
Anchor type		110	160	210	310	410	510	560	610
BZ-U 8-10-21/75		1,50	0,90	1,30	0,65	0,55	2,40	0,45	0,45
BZ-U 10-10-30/90		1,50	1,50	1,40	1,50	0,95	0,85	1,30	1,30

Max. total load $F = \text{cable weight} + \text{cable tray} + \text{bracket}$. The load capacity values increase considerably when used in uncracked concrete. The values given are based on concrete of strength class C20/25. Observe the installation conditions of the DIBt approval (anchors).

Characteristic anchor load values for wall bracket AW 15

T1	Wall fastening								
T2		Max. load F [kN]							
T3		Bracket width [mm]							
T4	Anchor type	110	160	210	310	410	510	560	610
	BZ-U 8-10-21/75	1,5	0,9	1,3	0,65	0,55	2,4	0,45	0,45
	BZ-U 10-10-30/90	1,5	1,5	1,4	1,5	0,95	0,85	1,3	1,3