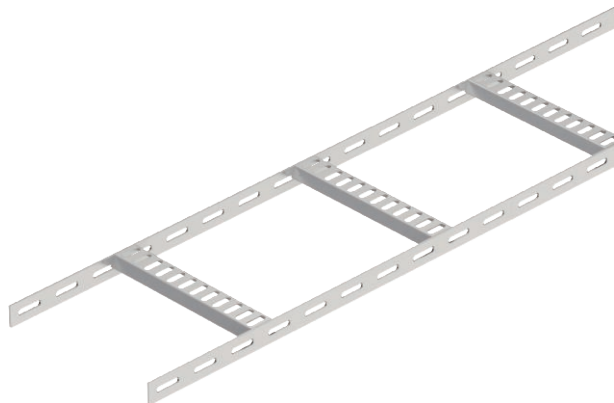


Technical data sheet

Cable ladder with trapezoidal rung, 25

Item no. 7097088



Shipbuilding cable ladder with perforated side rail of side height 25 mm with welded, perforated trapezoidal rungs which open in a downwards direction. Load tested according to IEC in conjunction with connector, type SLV.



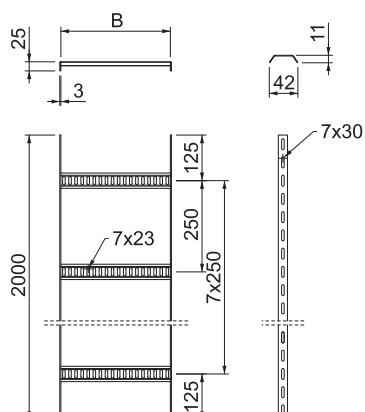
A2 Stainless steel, rustproof 1.4301
2B Bright, reworked

Additional product text, instruction | The shipping cable ladder is also available in unpainted steel on request.

Master data

Item no.	7097088
Type	SL 42 250 A2
Description 1	Cable ladder, shipbuilding
Description 2	with trapezoidal rung
Dimension	25x256x2000
Material	Stainless steel, material no. 1.4301
Material symbol	A2
Surface	Bright, reworked
Surface symbol	2B
Smallest sales unit (VG)	2,00 m
Weight	132,00 kg/100 m

Technical data



Length	2.000,00 mm
Width	250,00 mm
Side height	25,00 mm
Dimension B	256,00 mm
Dimension	25 X 250 mm
Rung version	Profile perforated
Side rail version	Flat profile
Fastening of rung	Welded
Suitable for maintaining electrical function	<input type="checkbox"/>
Rail thickness	3,00 mm
Rustproof steel, pickled	<input checked="" type="checkbox"/>
Side perforation	<input checked="" type="checkbox"/>
Rung distance	250,00 mm
Wide-span version	<input type="checkbox"/>

Technical data sheet

Cable ladder with trapezoidal rung, 25

Item no. 7097088



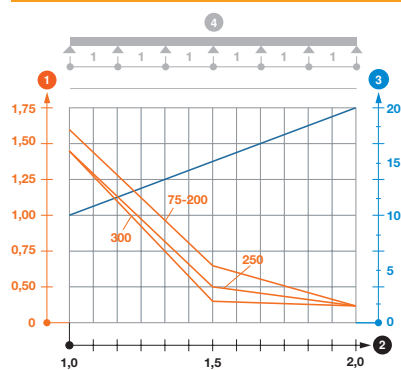
Technical data

Impact energy | 5,00 J

Appr. load:

Support spacing 1.0 m	1,45 kN/m
Support spacing 1.5 m	0,65 kN/m
Support spacing 2.0 m	0,25 kN/m

Appr. load:



Load diagram, SL42 cable ladder

- 1 Permitted cable tray/ladder load in kN/m without man load
- 2 Support width in m
- 3 Rail bend in mm at permitted kN/m
- Load curve with cable tray/ladder width in mm
- Strut bend curve according to support width
- 4 Load scheme during testing