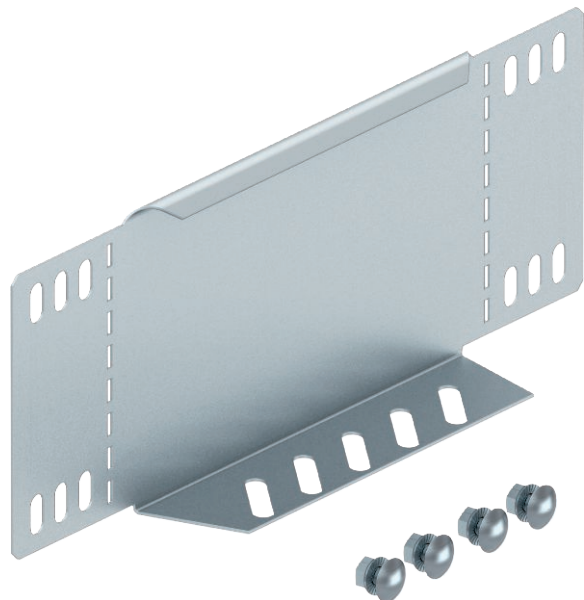


# Technical data sheet

## Reducing bracket and end closure 110

Item no. 7107455



Reducer/stop-end for cable trays with side height 110 mm.



<b>St</b>	Steel
<b>DD</b>	Strip galvanised zinc/aluminium, Double Dip

Additional product text, instruction  
From a width of 150 mm, a perforated lower flange is available.  
Including appropriate fastening material.

### Master data

Item no.	7107455
Type	RWEB 110 DD
Description 1	Reducer profile/end closure
Description 2	for cable tray
Dimension	110x100
Material	Steel
Material symbol	St
Surface	Strip galvanised zinc/aluminium, Double Dip
Surface to DIN	DIN EN 10346
Surface symbol	DD
Smallest sales unit (VG)	1,00 Piece
Weight	16,30 kg/100 pc.

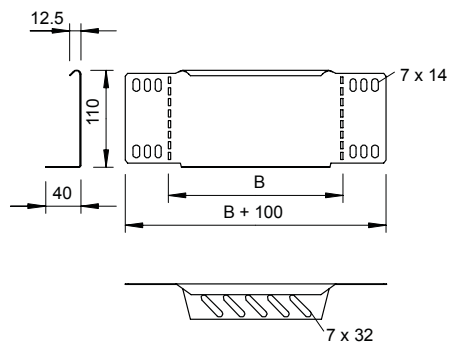
# Technical data sheet

## Reducing bracket and end closure 110

Item no. 7107455



### Technical data



Width	100,00 mm
Side height	110,00 mm
Dimension B	100,00 mm
Plate thickness	1,00 mm
Suitable for maintaining electrical function	<input type="checkbox"/>
Rustproof steel, pickled	<input type="checkbox"/>
Wide-span version	<input type="checkbox"/>