

Technical data sheet

Mounting support for data technology connection sockets, system length 208 mm
Item no. 7407840



Mounting support for installation of three cover plates and strain relief. Use instead of a UT4 mounting box.

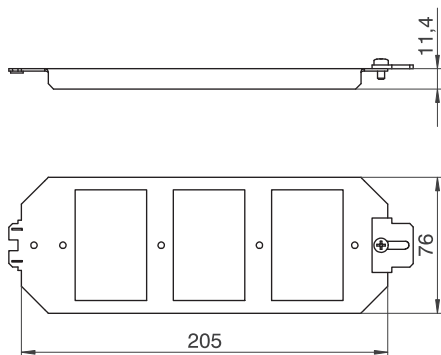


St	Steel
FS	Strip galvanised

Master data

Item no.	7407840
Type	MTU 3
Description 1	Base support
Description 2	for support plate
Dimension	208x76x12
Colour	Jet black
RAL number	9005
Material	Steel
Material symbol	St
Surface	Strip galvanised
Surface to DIN	DIN EN 10346
Surface symbol	FS
Smallest sales unit (VG)	1,00 Piece
Weight	14,47 kg/100 pc.

Technical data



Length	205,00 mm
Width	76,00 mm
Number of installable devices	3,00
Number of strain reliefs	0,00
Version	Support shape
Fastening type	Screw
Labelling panel	<input type="checkbox"/>
Floor covering protection frame	<input type="checkbox"/>
Floor plate	<input type="checkbox"/>
Lowerable to be flushfloor	<input type="checkbox"/>
Seal installation option	<input type="checkbox"/>
Installation opening for on-floor tank	<input type="checkbox"/>
Decouplable	<input type="checkbox"/>
Suitable for screed-flush closed underfloor ducts	<input checked="" type="checkbox"/>

Technical data sheet

Mounting support for data technology connection sockets, system length 208 mm
Item no. 7407840



Technical data

Suitable for screed-covered underfloor ducts	<input checked="" type="checkbox"/>
Suitable for raised floor installation	<input checked="" type="checkbox"/>
Suitable for cavity floor installation	<input checked="" type="checkbox"/>
Suitable for underfloor ducts	<input checked="" type="checkbox"/>
With floor covering recess	<input type="checkbox"/>
Schwerlastausführung	<input type="checkbox"/>
Depth	11,40 mm
Strain relief option	<input checked="" type="checkbox"/>