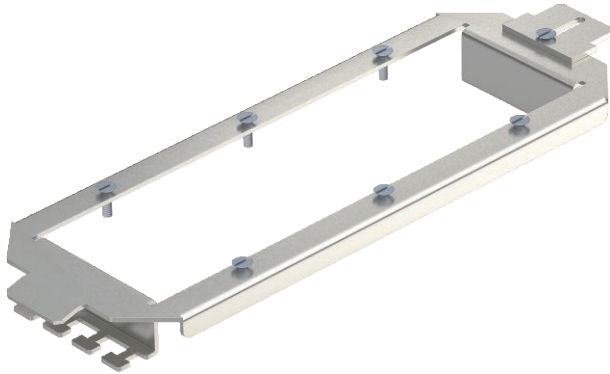


Technical data sheet

Mounting support – MT3 3ACO

Item no. 7407712



Mounting support for installation of two data modules of type ACO (only with Insta Kit UF 60 from AMP Tyco). Use instead of a GB2 mounting box.

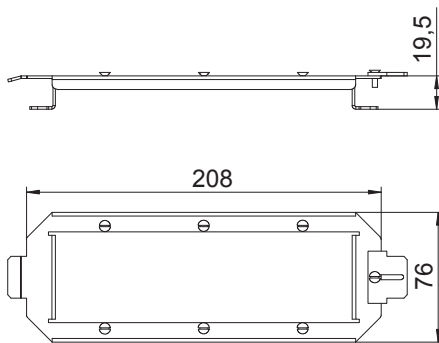


A2 Stainless steel, rustproof 1.4301

Master data

Item no.	7407712
Type	MT3 3ACO
Description 1	Mounting plate
Description 2	for 3x ACO
Material	Stainless steel, material no. 1.4301
Material symbol	A2
Smallest sales unit (VG)	1,00 Piece
Weight	14,21 kg/100 pc.

Technical data



Length	208,00 mm
Fastening type	Lock
Labelling panel	<input type="checkbox"/>
Floor covering protection frame	<input type="checkbox"/>
Floor plate	<input type="checkbox"/>
Lowerable to be flushfloor	<input type="checkbox"/>
Seal installation option	<input type="checkbox"/>
Installation opening for on-floor tank	<input type="checkbox"/>
Decouplable	<input type="checkbox"/>
Suitable for screed-flush closed underfloor ducts	<input checked="" type="checkbox"/>
Suitable for screed-covered underfloor ducts	<input checked="" type="checkbox"/>
Suitable for raised floor installation	<input checked="" type="checkbox"/>
Suitable for cavity floor installation	<input checked="" type="checkbox"/>
Suitable for underfloor ducts	<input checked="" type="checkbox"/>
With floor covering recess	<input type="checkbox"/>
Schwerlastausführung	<input type="checkbox"/>
Strain relief option	<input checked="" type="checkbox"/>