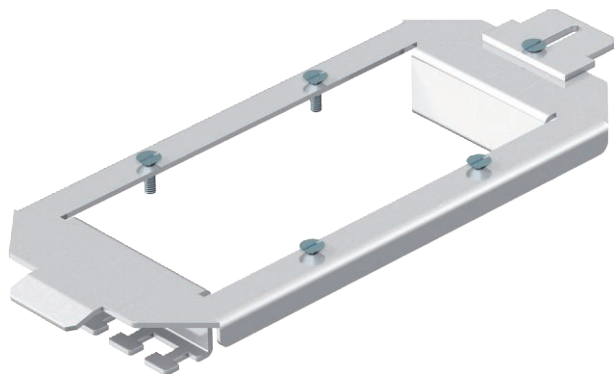


# Technical data sheet

## Mounting support – MT2 2ACO

Item no. 7407688



Mounting support for installation of two or three data modules of type ACO (only with Insta Kit UF 60 from AMP Tyco). Use instead of a GB2 or GB3 mounting box.

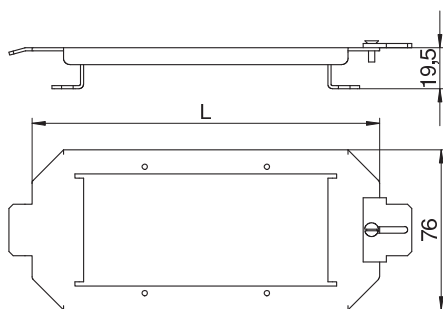


**A2** Stainless steel, rustproof 1.4301

### Master data

Item no.	7407688
Type	MT2 2ACO
Description 1	Mounting support
Description 2	for 2x ACO
Material	Stainless steel, material no. 1.4301
Material symbol	A2
Smallest sales unit (VG)	1,00 Piece
Weight	13,40 kg/100 pc.

### Technical data



Length	165,00 mm
Fastening type	Lock
Labelling panel	<input type="checkbox"/>
Floor covering protection frame	<input type="checkbox"/>
Floor plate	<input type="checkbox"/>
Lowerable to be flushfloor	<input type="checkbox"/>
Seal installation option	<input type="checkbox"/>
Installation opening for on-floor tank	<input type="checkbox"/>
Decouplable	<input type="checkbox"/>
Suitable for screed-flush closed underfloor ducts	<input checked="" type="checkbox"/>
Suitable for screed-covered underfloor ducts	<input checked="" type="checkbox"/>
Suitable for raised floor installation	<input checked="" type="checkbox"/>
Suitable for cavity floor installation	<input checked="" type="checkbox"/>
Suitable for underfloor ducts	<input checked="" type="checkbox"/>
With floor covering recess	<input type="checkbox"/>
Schwerlastausführung	<input type="checkbox"/>
Strain relief option	<input checked="" type="checkbox"/>