

# Technical data sheet

Device support for CEE installation, system length 208 mm, without CEE  
Item no. 7407669



Device support of nominal size 3 for the installation of a CEE plug connection 16 A or 32 A for installation in service outlets and cassettes of nominal size R7, 9 and R9. Device support with protective housing and strain relief. Required minimum installation depth: 190 mm when using a straight connector and 160 mm when an angled connector is used.

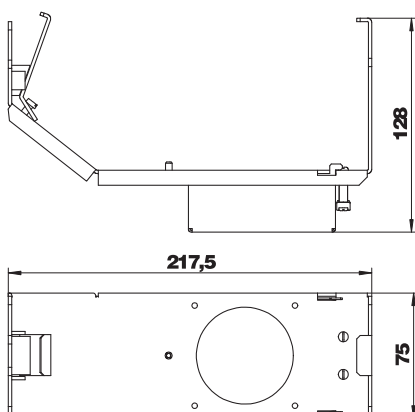


St	Steel
FS	Strip galvanised

## Master data

Item no.	7407669
Type	GT3 CEE
Description 1	Mounting box
Description 2	for CEE16 and CEE32
Dimension	218x75x128
Material	Steel
Material symbol	St
Surface	Strip galvanised
Surface to DIN	DIN EN 10346
Surface symbol	FS
Smallest sales unit (VG)	1,00 Piece
Weight	57,00 kg/100 pc.

## Technical data



Floor plate	<input type="checkbox"/>
Seal installation option	<input type="checkbox"/>
Suitable for underfloor ducts	<input checked="" type="checkbox"/>
Suitable for cavity floor installation	<input checked="" type="checkbox"/>
Suitable for raised floor installation	<input checked="" type="checkbox"/>
Suitable for screed-flush closed underfloor ducts	<input checked="" type="checkbox"/>
Suitable for screed-covered underfloor ducts	<input checked="" type="checkbox"/>