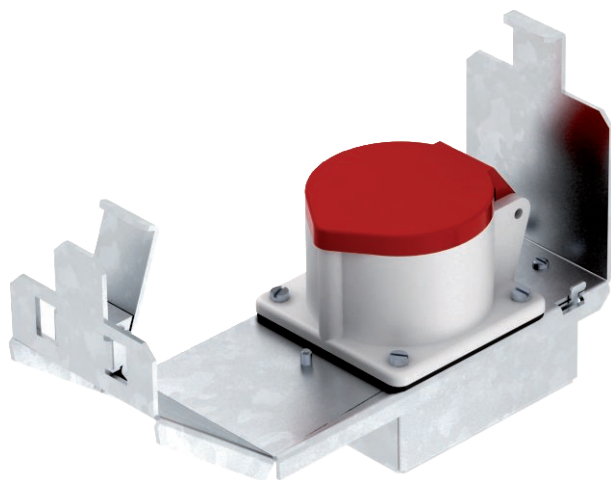


# Technical data sheet

Device support for CEE installation, system length 208 mm, with CEE  
Item no. 7407667



Device support of nominal size 3 with an CEE plug connection 16 A for installation in service outlets and cassettes of nominal sizes R7, 9 and R9. Device support with protective housing and strain relief. Required minimum installation depth: 190 mm when using a straight connector and 160 mm when an angled connector is used.



<b>St</b>	Steel
<b>FS</b>	Strip galvanised

## Master data

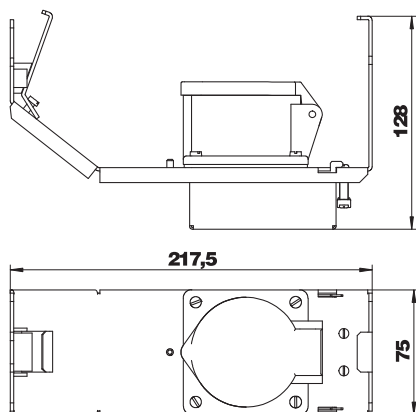
Item no.	7407667
Type	GT3 CEE16
Description 1	Mounting box
Description 2	with CEE16
Dimension	218x75x128
Material	Steel
Material symbol	St
Surface	Strip galvanised
Surface to DIN	DIN EN 10346
Surface symbol	FS
Smallest sales unit (VG)	1,00 Piece
Weight	75,00 kg/100 pc.

# Technical data sheet

Device support for CEE installation, system length 208 mm, with CEE  
Item no. 7407667



## Technical data



- Floor plate
- Seal installation option
- Suitable for underfloor ducts
- Suitable for cavity floor installation
- Suitable for raised floor installation
- Suitable for screed-flush closed underfloor ducts
- Suitable for screed-covered underfloor ducts