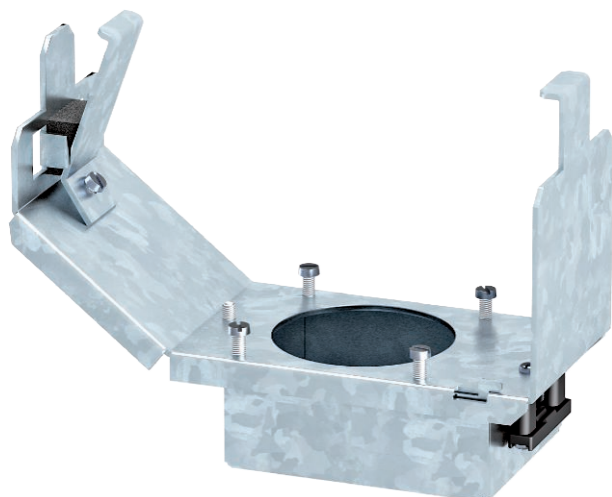


Technical data sheet

Device support for CEE installation, system length 165 mm, without CEE
Item no. 7407665



Device support of nominal size 2 for the installation of a CEE plug connection 16 A or 32 A for installation in service outlets and cassettes of nominal size 2, 4, 6 and R7. Device support with protective housing and strain relief. Required minimum installation depth: 190 mm when using a straight connector and 160 mm when an angled connector is used.



St	Steel
FS	Strip galvanised

Master data

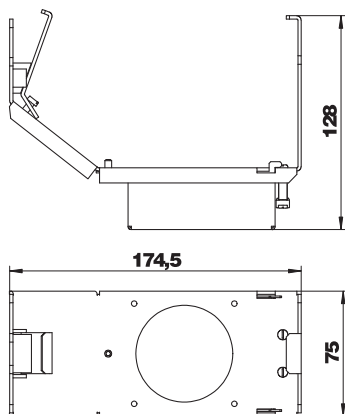
Item no.	7407665
Type	GT2CEE
Description 1	Mounting box
Description 2	for CEE16 and CEE32
Dimension	175x75x128
Material	Steel
Material symbol	St
Surface	Strip galvanised
Surface to DIN	DIN EN 10346
Surface symbol	FS
Smallest sales unit (VG)	1,00 Piece
Weight	51,00 kg/100 pc.

Technical data sheet

Device support for CEE installation, system length 165 mm, without CEE
Item no. 7407665



Technical data



Floor plate	<input type="checkbox"/>
Seal installation option	<input type="checkbox"/>
Suitable for underfloor ducts	<input checked="" type="checkbox"/>
Suitable for cavity floor installation	<input checked="" type="checkbox"/>
Suitable for raised floor installation	<input checked="" type="checkbox"/>
Suitable for screed-flush closed underfloor ducts	<input checked="" type="checkbox"/>
Suitable for screed-covered underfloor ducts	<input checked="" type="checkbox"/>