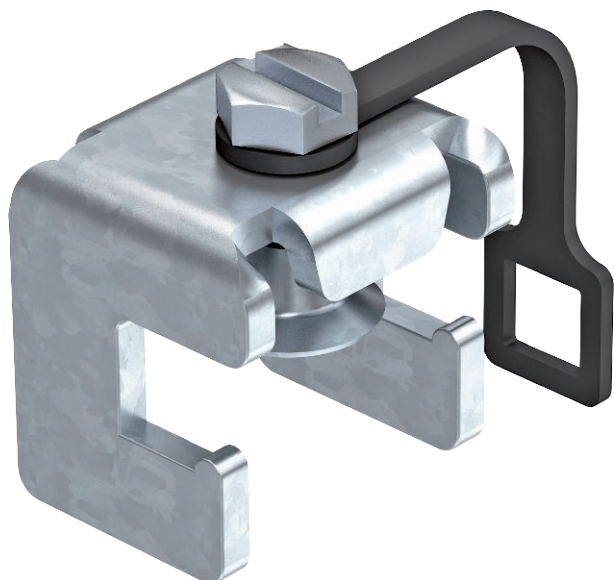


Technical data sheet

Flat conductor terminal to FL 30 for 1801 VDE

Item no. 5015731



- For flat conductors to FL 30 and thickness to 5 mm
- Captive design with plastic safety strap
- 3 division units
- Lightning current carrying capacity 100 kA (10/350)
- Electrogalvanised steel



St	Steel
G	Electrogalvanised

Master data

Item no.	5015731
Type	1801 RK30
Description 1	Series terminal
Description 2	for equipotential busbar
Dimension	30mm
Material	Steel
Material symbol	St
Surface	Electrogalvanised
Surface to DIN	DIN EN 12329
Surface symbol	G
Smallest sales unit (VG)	1,00 Piece
Weight	10,64 kg/100 pc.

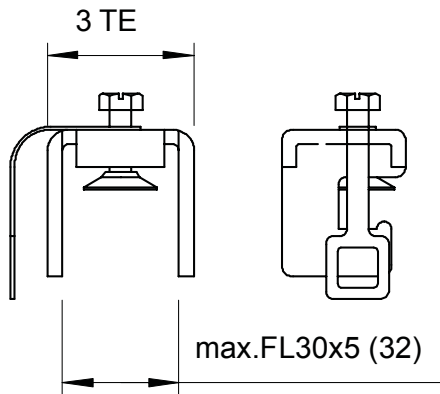
Technical data sheet

Flat conductor terminal to FL 30 for 1801 VDE

Item no. 5015731



Technical data



Width	30,00 mm
Connection options	FL 30 x 5
Dividing unit TE (10 mm)	4,00