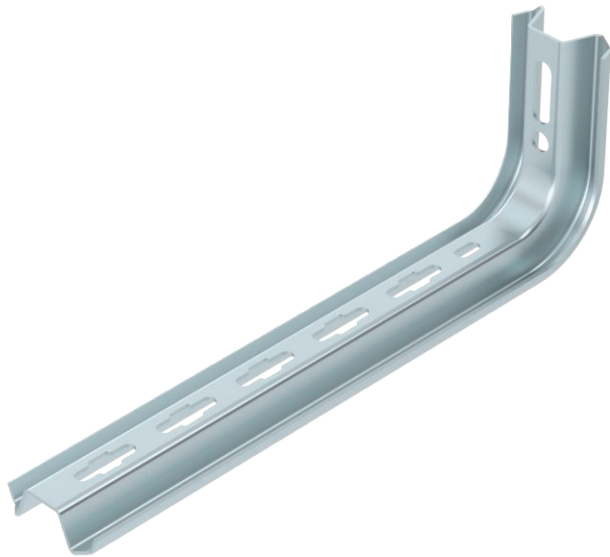


Technical data sheet

TPSA TP support/wall and support bracket

Item no. 6364306



TP profile for use as lightweight support on horizontal concrete ceilings, on length 145–645 mm. Up to length 345 mm, the profile is used as a lightweight wall and support bracket.



St	Steel
FS	Strip galvanised

Additional product text, instruction	In combination with the wall and support bracket, type TPSA/145, head reinforcement can be implemented with two fixing points. Important! If the profile is fixed directly to the ceiling or the profile is screwed together as head reinforcement, then, for reasons of stability, always use the spacer, type DS 4. For enmeshed profile mounting, use the truss-head bolt FRS 10/25 S. When mounting the profiles opposite each other (e.g. head reinforcement), use the hexagonal bolt, type SKS 10/60.
--------------------------------------	---

Master data

Item no.	6364306
Type	TPSA 345 FS
Description 1	TP wall and support bracket
Description 2	use as support and bracket
Dimension	B345mm
Material	Steel
Material symbol	St
Surface	Strip galvanised
Surface to DIN	DIN EN 10346
Surface symbol	FS
Smallest sales unit (VG)	1,00 Piece
Weight	60,00 kg/100 pc.

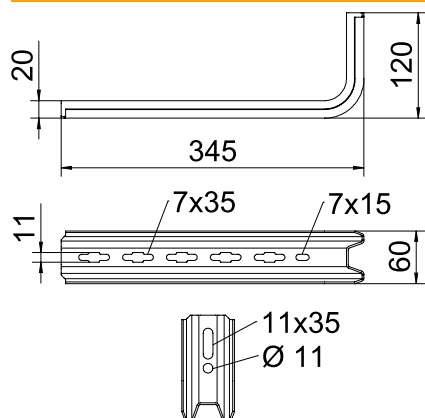
Technical data sheet

TPSA TP support/wall and support bracket

Item no. 6364306

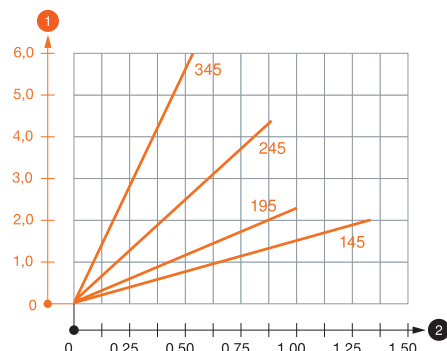


Technical data



Length	345,00 mm
Width	345,00 mm
Side height	20,00 mm
Dimension B	345,00 mm
Dimension H	120,00 mm
Dimension L	345,00 mm
Dimension value	20 x 60 x 2
Version	S profile
Version	Wall and support bracket
F in kN	0,55 kN
for width	300,00 mm
Suitable for maintaining electrical function	<input type="checkbox"/>
Rustproof steel, pickled	<input type="checkbox"/>

Load charts



Load values heading_Characteristic anchor values
Heading, load table

Load diagram, bracket TPSA

- ① Bending of the bracket tip at permitted bracket load
- ② Permitted bracket load in kN without man load
- Load curve with bracket lengths in mm

Characteristic anchor load values for TP bracket

Wall fastening		Max. load F [kN]			
		Bracket width [mm]			
Anchor type		145	195	245	345
BZ-U 8-30-41/95		1,00	1,30	0,70	2,40
BZ-U 10-30-50/110		1,50	1,00	0,90	0,55

Characteristic anchor load values for TP bracket

T1	Wall fastening				
T2		Max. load F [kN]			
T3		Bracket width [mm]			
T4	Anchor type	145	195	245	345
	BZ-U 8-30-41/95	1	1,3	0,7	2,4
	BZ-U 10-30-50/110	1,5	1	0,9	0,55