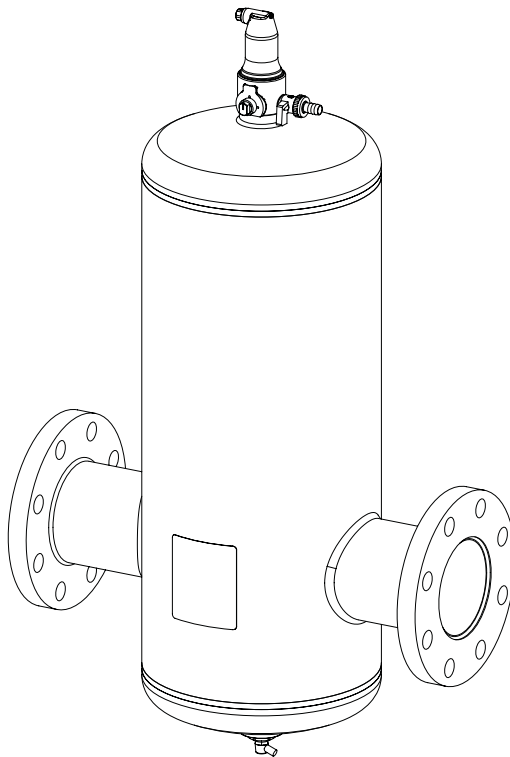
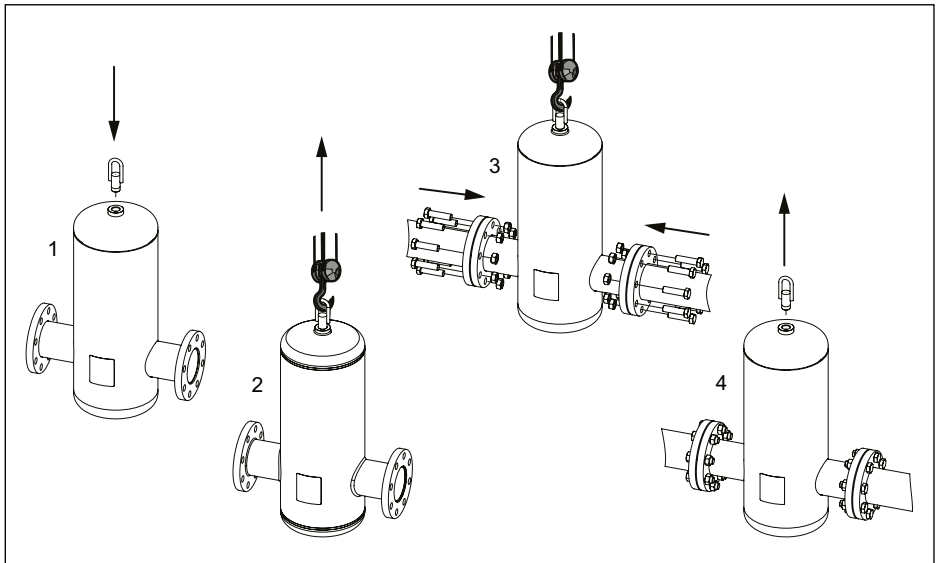
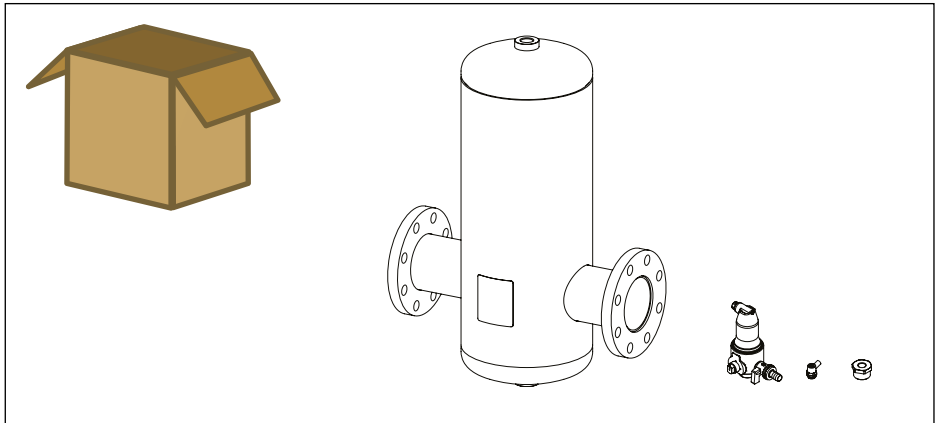
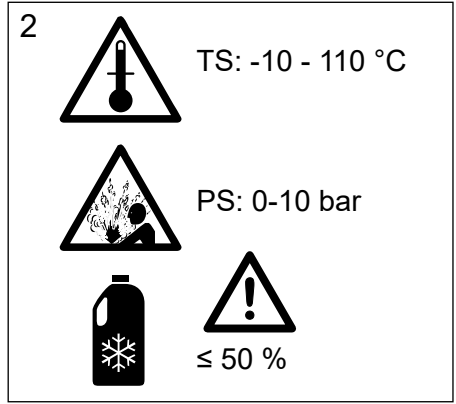
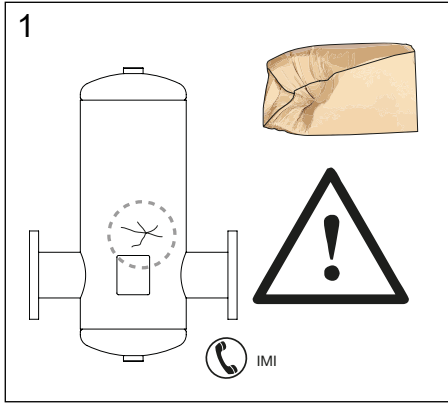


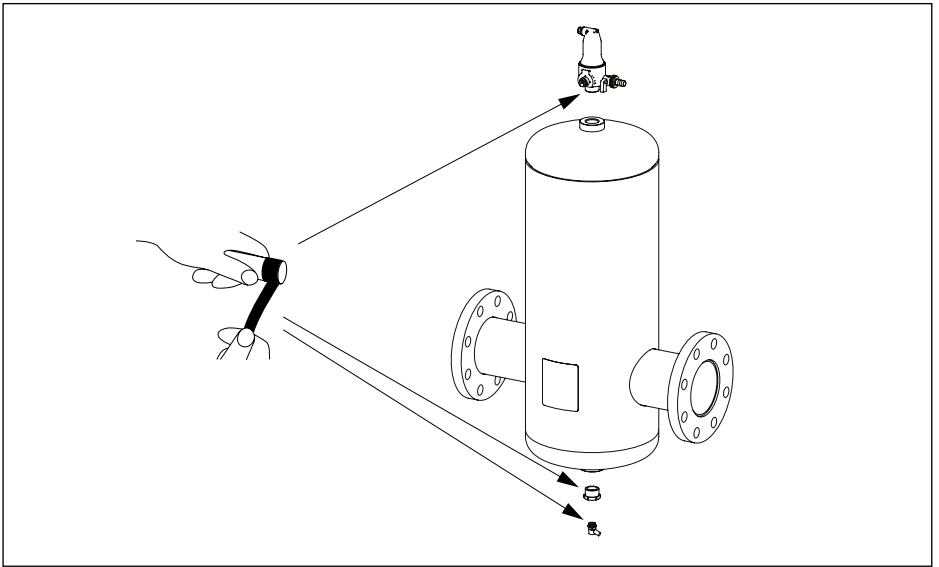
IMI Pneumatex

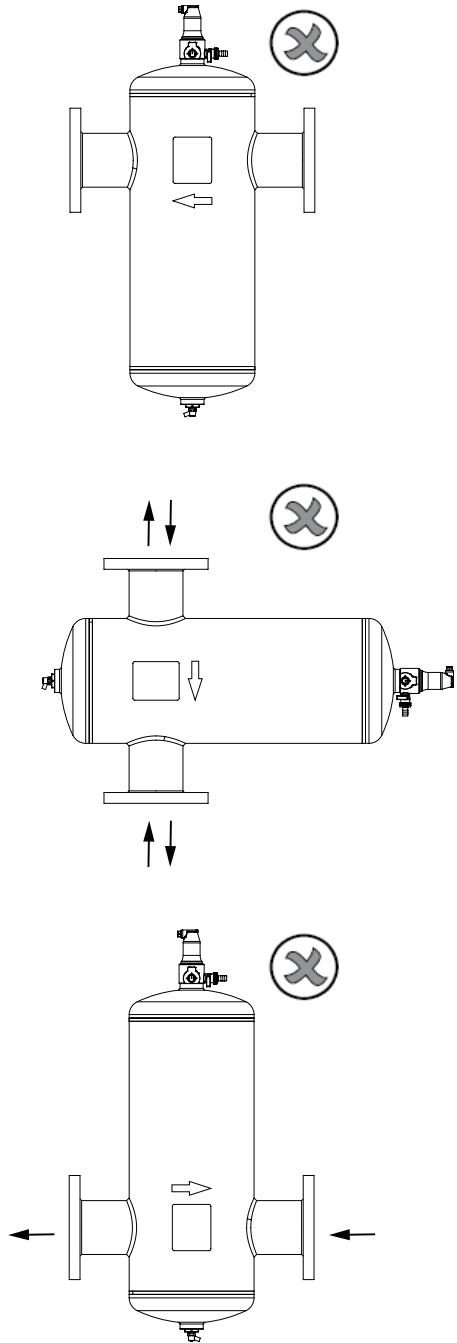
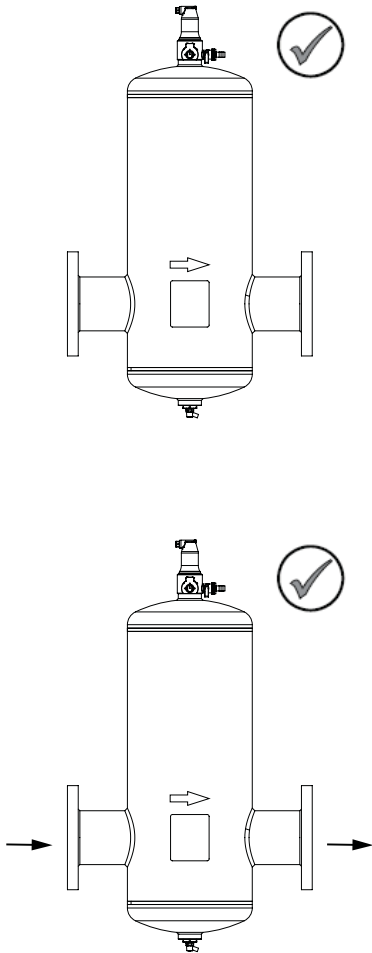
# Zeparo Aero install

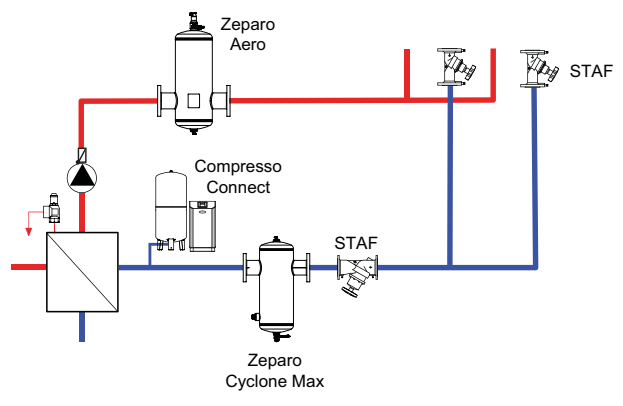
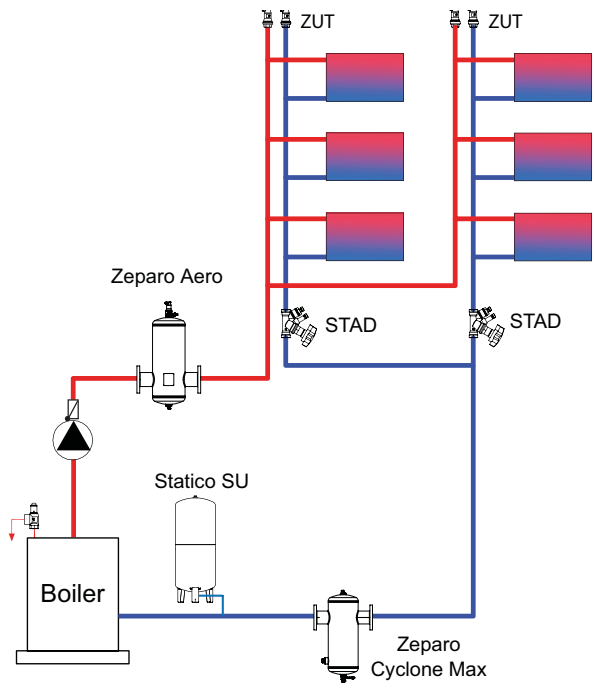


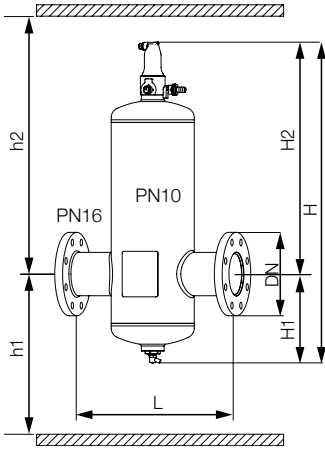
IMI PNEUMATEX	
SAFETY – INSPECTION – OPERATION – DISPOSAL prescriptions	
1	Read the manual carefully before starting the installation and use of the equipment.
2	Do not touch the equipment with bare hands. Use appropriate personal protective equipment (PPE).
3	Do not touch the equipment with wet hands.
4	Do not touch the equipment with oily hands.
5	Do not touch the equipment with dirty hands.
6	Do not touch the equipment with greasy hands.
7	Do not touch the equipment with sharp objects.
8	Do not touch the equipment with flammable or explosive substances.
9	Do not touch the equipment with toxic or corrosive substances.
10	Do not touch the equipment with radioactive substances.
11	Do not touch the equipment with high voltage or high current.
12	Do not touch the equipment with high temperature.
13	Do not touch the equipment with low temperature.
14	Do not touch the equipment with high pressure.
15	Do not touch the equipment with low pressure.
16	Do not touch the equipment with high speed.
17	Do not touch the equipment with low speed.
18	Do not touch the equipment with high frequency.
19	Do not touch the equipment with low frequency.
20	Do not touch the equipment with high magnetic field.
21	Do not touch the equipment with low magnetic field.
22	Do not touch the equipment with high electric field.
23	Do not touch the equipment with low electric field.
24	Do not touch the equipment with high radiation.
25	Do not touch the equipment with low radiation.
26	Do not touch the equipment with high noise.
27	Do not touch the equipment with low noise.
28	Do not touch the equipment with high vibration.
29	Do not touch the equipment with low vibration.
30	Do not touch the equipment with high electromagnetic interference (EMI).
31	Do not touch the equipment with low electromagnetic interference (EMI).
32	Do not touch the equipment with high radio frequency interference (RFI).
33	Do not touch the equipment with low radio frequency interference (RFI).
34	Do not touch the equipment with high optical radiation.
35	Do not touch the equipment with low optical radiation.
36	Do not touch the equipment with high ultraviolet radiation (UVR).
37	Do not touch the equipment with low ultraviolet radiation (UVR).
38	Do not touch the equipment with high infrared radiation (IRR).
39	Do not touch the equipment with low infrared radiation (IRR).
40	Do not touch the equipment with high ionizing radiation.
41	Do not touch the equipment with low ionizing radiation.
42	Do not touch the equipment with high non-ionizing radiation.
43	Do not touch the equipment with low non-ionizing radiation.
44	Do not touch the equipment with high microwave radiation.
45	Do not touch the equipment with low microwave radiation.
46	Do not touch the equipment with high radio frequency electromagnetic field (RFEMF).
47	Do not touch the equipment with low radio frequency electromagnetic field (RFEMF).
48	Do not touch the equipment with high electric field (EF).
49	Do not touch the equipment with low electric field (EF).
50	Do not touch the equipment with high magnetic field (MF).
51	Do not touch the equipment with low magnetic field (MF).
52	Do not touch the equipment with high electromagnetic field (EMF).
53	Do not touch the equipment with low electromagnetic field (EMF).
54	Do not touch the equipment with high radio frequency electromagnetic field (RFEMF).
55	Do not touch the equipment with low radio frequency electromagnetic field (RFEMF).
56	Do not touch the equipment with high optical radiation (OR).
57	Do not touch the equipment with low optical radiation (OR).
58	Do not touch the equipment with high ultraviolet radiation (UVR).
59	Do not touch the equipment with low ultraviolet radiation (UVR).
60	Do not touch the equipment with high infrared radiation (IRR).
61	Do not touch the equipment with low infrared radiation (IRR).
62	Do not touch the equipment with high ionizing radiation (IR).
63	Do not touch the equipment with low ionizing radiation (IR).
64	Do not touch the equipment with high non-ionizing radiation (NIR).
65	Do not touch the equipment with low non-ionizing radiation (NIR).
66	Do not touch the equipment with high microwave radiation (MR).
67	Do not touch the equipment with low microwave radiation (MR).
68	Do not touch the equipment with high radio frequency electromagnetic field (RFEMF).
69	Do not touch the equipment with low radio frequency electromagnetic field (RFEMF).
70	Do not touch the equipment with high electric field (EF).
71	Do not touch the equipment with low electric field (EF).
72	Do not touch the equipment with high magnetic field (MF).
73	Do not touch the equipment with low magnetic field (MF).
74	Do not touch the equipment with high electromagnetic field (EMF).
75	Do not touch the equipment with low electromagnetic field (EMF).
76	Do not touch the equipment with high radio frequency electromagnetic field (RFEMF).
77	Do not touch the equipment with low radio frequency electromagnetic field (RFEMF).
78	Do not touch the equipment with high optical radiation (OR).
79	Do not touch the equipment with low optical radiation (OR).
80	Do not touch the equipment with high ultraviolet radiation (UVR).
81	Do not touch the equipment with low ultraviolet radiation (UVR).
82	Do not touch the equipment with high infrared radiation (IRR).
83	Do not touch the equipment with low infrared radiation (IRR).
84	Do not touch the equipment with high ionizing radiation (IR).
85	Do not touch the equipment with low ionizing radiation (IR).
86	Do not touch the equipment with high non-ionizing radiation (NIR).
87	Do not touch the equipment with low non-ionizing radiation (NIR).
88	Do not touch the equipment with high microwave radiation (MR).
89	Do not touch the equipment with low microwave radiation (MR).
90	Do not touch the equipment with high radio frequency electromagnetic field (RFEMF).
91	Do not touch the equipment with low radio frequency electromagnetic field (RFEMF).
92	Do not touch the equipment with high electric field (EF).
93	Do not touch the equipment with low electric field (EF).
94	Do not touch the equipment with high magnetic field (MF).
95	Do not touch the equipment with low magnetic field (MF).
96	Do not touch the equipment with high electromagnetic field (EMF).
97	Do not touch the equipment with low electromagnetic field (EMF).
98	Do not touch the equipment with high radio frequency electromagnetic field (RFEMF).
99	Do not touch the equipment with low radio frequency electromagnetic field (RFEMF).
100	Do not touch the equipment with high optical radiation (OR).











Type	DN	H	h1	h2	H1	H2	L	$q_N$ [m <sup>3</sup> /h]	$q_{max}$ [m <sup>3</sup> /h]	Weight [kg]	EAN	Article No
ZA 50	50	725	575	695	210	515	350	6	24	13	7640161646049	303041-30900
ZA 65	65	725	575	695	210	515	350	11	40	13	7640161646056	303041-31001
ZA 80	80	865	605	805	240	625	470	18	56	25	7640161646063	303041-31101
ZA 100	100	865	605	805	240	625	470	33	95	26	7640161646070	303041-31201
ZA 125	125	1085	665	965	300	785	635	58	148	72	7640161646087	303041-31301
ZA 150	150	1085	665	965	300	785	635	93	216	75	7640161646094	303041-31401
ZA 200	200	1365	740	1170	375	990	775	184	375	167	7640161646100	303041-31501
ZA 250	250	1605	795	1355	430	1175	890	336	575	242	7640161646117	303041-31601
ZA 300	300	1755	835	1465	470	1285	1005	535	815	277	7640161646124	303040-31701

We reserve the right to introduce technical alterations without prior notice.

