

## ORIGINAL MINI VALVE

Quarter-turn straight ball valves for surface mounting.

- European Brass, DW (4MS) quality for use in drinking water installations.
- The knurled inlet thread (according to model) make it easy to apply the sealant.
- 100% valves are tested for inner leakage.
- Double o-ring, ensures external leaktightness.
- Strong one-piece body construction for secure installations.



## TECHNICAL SHEET ORIGINAL MINI VALVE

### PRODUCT DESCRIPTION

Quarter-turn straight ball valves for surface mounting with manual operation, where the connection is made by means of a threaded connection, compression or loose nut according to model.

### PRODUCT SCOPE

Designed for indoor plumbing installations, allowing individual shut-off of the water supply to sinks, washbasins, cisterns, washing machines, and other points of use.

### GENERAL DIMENSIONS, PRESSURE AND TEMPERATURE

#### MINI HEXAGONAL FEMALE - MALE CHROME ABS HANDLE

Code	Size	A (mm)	B (mm)	C (mm)	PN (bar)	Temp. (°C)*
2207C	1/2F X 1/2M	49	25	31	16	0 to 95

\*Freezing is excluded.

#### MINI HEXAGONAL FEMALE - MALE BLUE ABS HANDLE

Code	Size	A (mm)	B (mm)	C (mm)	PN (bar)	Temp. (°C)*
A2207	1/2F X 1/2M	49	25	31	16	0 to 95

\*Freezing is excluded.

#### MINI HEXAGONAL FEMALE - MALE RED ABS HANDLE

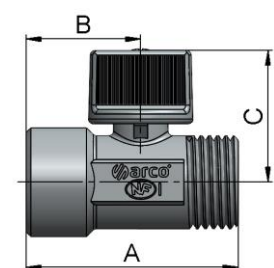
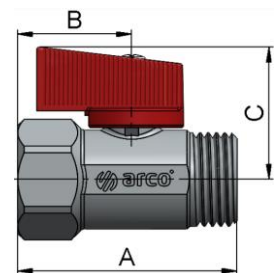
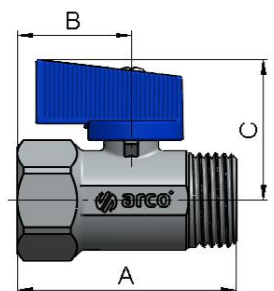
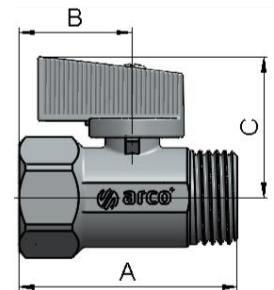
Code	Size	A (mm)	B (mm)	C (mm)	PN (bar)	Temp. (°C)*
2207R	1/2F X 1/2M	49	25	31	16	0 to 95

\*Freezing is excluded.

#### MINI FEMALE - MALE METAL HANDLE

Code	Size	A (mm)	B (mm)	C (mm)	PN (bar)	Temp. (°C)*
02204	1/2F X 1/2M	47	25	29	16	0 to 95

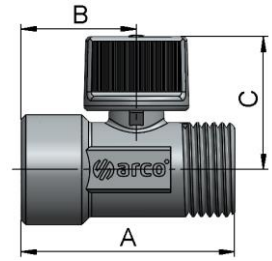
\*Freezing is excluded.




**POLISHED MINI FEMALE - MALE METAL HANDLE**

Code	Size	A (mm)	B (mm)	C (mm)	PN (bar)	Temp. (°C)*
02206	1/2F X 1/2M	47	25	29	16	0 to 95

\*Freezing is excluded.

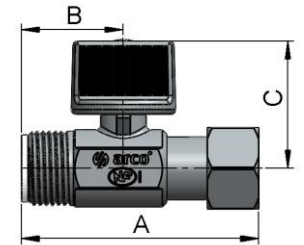

**MINI MALE - LOOSE NUT METAL HANDLE**

Code	Size	A (mm)	B (mm)	C (mm)	PN (bar)	Temp. (°C)*
02267**	3/8M X 3/8LN	52	23	28	16	0 to 95
02267U**	3/8M X 3/8LN	52	23	28	16	0 to 95
SA267**	3/8M X 3/8LN	52	23	28	16	0 to 95
02270	3/8M X 3/8LN	52	23	28	16	0 to 95
P2290***	1/2M X 1/2LN	60	23	29	16	0 to 95

\* Freezing is excluded.

\*\* These models include PA supplement for flat joint in the male connection.

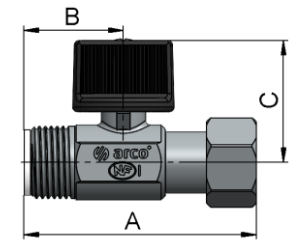
\*\*\* This model includes brass supplement for flat joint in the male connection.


**MINI MALE - LOOSE NUT BLACK METAL HANDLE**

Code	Size	A (mm)	B (mm)	C (mm)	PN (bar)	Temp. (°C)*
02268W**	3/8M X 3/8LN	53	23	28	16	0 to 95

\* Freezing is excluded.

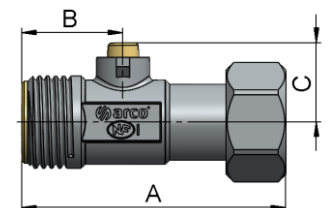
\*\* This model includes PA supplement for flat joint in the male connection.


**MINI MALE - LOOSE NUT WITHOUT HANDLE**

Code	Size	A (mm)	B (mm)	C (mm)	PN (bar)	Temp. (°C)*
P2288**	1/2M X 1/2LN	60	23	18	16	0 to 95

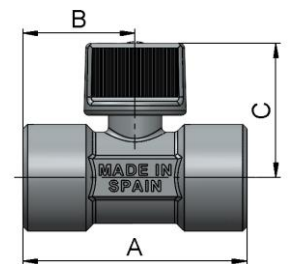
\* Freezing is excluded.

\*\* This model includes brass supplement for flat joint in the male connection.


**MINI FEMALE - FEMALE METAL HANDLE**

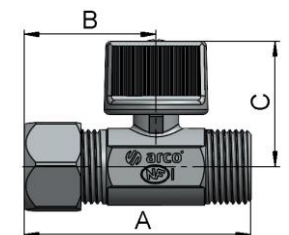
Code	Size	A (mm)	B (mm)	C (mm)	PN (bar)	Temp. (°C)*
02249	1/2F – 1/2F	50	25	30	16	0 to 95

\*Freezing is excluded.


**MINI MALE - COMPRESSION METAL HANDLE**

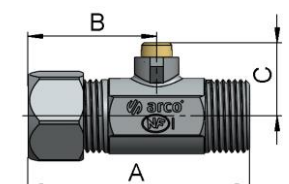
Code	Size	A (mm)	B (mm)	C (mm)	PN (bar)	Temp. (°C)*
02285	3/8M X 3/8-12	50	29	28	16	0 to 95

\*Freezing is excluded.


**MINI MALE - COMPRESSION WITHOUT HANDLE**

Code	Size	A (mm)	B (mm)	C (mm)	PN (bar)	Temp. (°C)*
02237	3/8M X 3/8-12	50	29	17	16	0 to 95

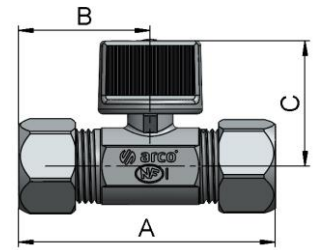
\*Freezing is excluded.




**MINI COMPRESSION - COMPRESSION METAL HANDLE**

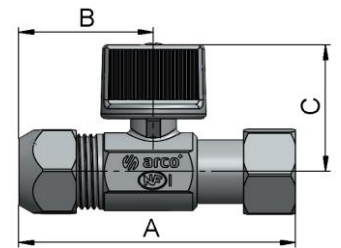
Code	Size	A (mm)	B (mm)	C (mm)	PN (bar)	Temp. (°C)*
02229	3/8-10 X 3/8-12	57	29	28	16	0 to 95
02217	3/8-10 X 1/2-14	51	30	30	16	0 to 95
02355	3/8-10 X 1/2-15	58	30	30	16	0 to 95
S2273A	3/8-12 X 3/8-12	58	29	28	16	0 to 95
S2358A	1/2-14 X 1/2-14	63	33	30	16	0 to 95
02202	1/2-15 X 1/2-15	65	35	30	16	0 to 95

\*Freezing is excluded.


**MINI COMPRESSION - LOOSE NUT METAL HANDLE**

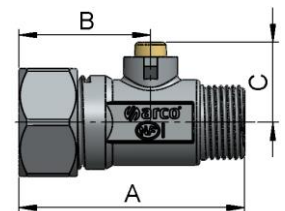
Code	Size	A (mm)	B (mm)	C (mm)	PN (bar)	Temp. (°C)*
02275	3/8-10 X 3/8LN	60	29	28	16	0 to 95

\*Freezing is excluded.


**MINI COMPRESSION - MALE WITHOUT HANDLE**

Code	Size	A (mm)	B (mm)	C (mm)	PN (bar)	Temp. (°C)*
02227	1/2-14 X 3/8M	50	29	18	16	0 to 95

\*Freezing is excluded.

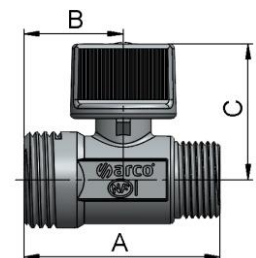

**MINI MALE - MALE METAL HANDLE**

Code	Size	A (mm)	B (mm)	C (mm)	PN (bar)	Temp. (°C)*
02236	3/8MX3/8M	42	21	28	16	0 to 95
P2236**	3/8MX3/8M	44	22	28	16	0 to 95
02210	3/8MX1/2M	43	22	29	16	0 to 95
02238	1/2MX1/2M	48	22	29	16	0 to 95
P2238 ***	1/2MX1/2M	49	22	29	16	0 to 95
02205	3/4MX1/2M	45	23	29	16	0 to 95

\* Freezing is excluded.

\*\* This model includes PA supplement for flat joint.

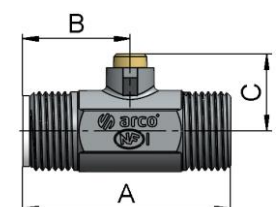
\*\*\* This model includes brass supplement for flat joint.


**MINI MALE - MALE WITHOUT HANDLE**

Code	Size	A (mm)	B (mm)	C (mm)	PN (bar)	Temp. (°C)*
P2237**	3/8M X 3/8M	44	22	16	16	0 to 95

\* Freezing is excluded.

\*\* This model includes PA supplement for flat joint.

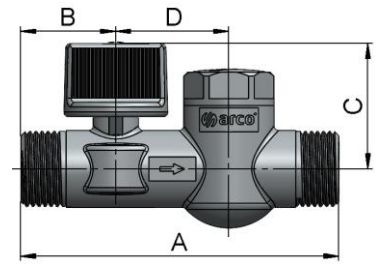



**MINI WITH FILTER MALE - MALE METAL HANDLE**

Code	Size	A (mm)	B (mm)	C (mm)	D (mm)	PN (bar)	Temp. (°C)*
MF200AD**	3/8M X 3/8M	70	21	28	25	16	0 to 95

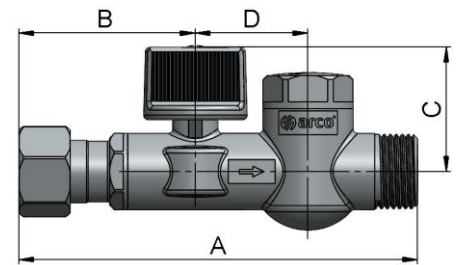
\* Freezing is excluded.

\*\* This model includes PA supplement for flat joint.


**MINI WITH FILTER MALE - LOOSE NUT METAL HANDLE**

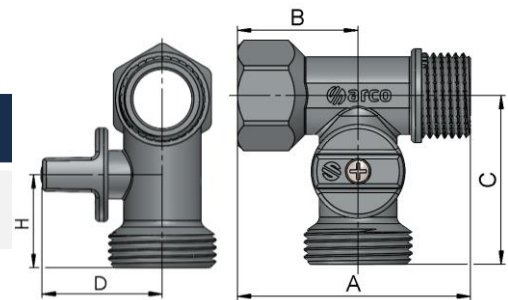
Code	Size	A (mm)	B (mm)	C (mm)	D (mm)	PN (bar)	Temp. (°C)*
MF210	3/8M X 3/8LN	88	39	28	25	16	0 to 95

\*Freezing is excluded.


**MINI TEE FEMALE - MALE - MALE METAL HANDLE**

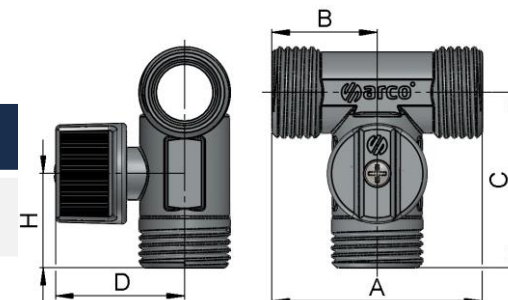
Code	Size	A (mm)	B (mm)	C (mm)	D (mm)	H (mm)	PN (bar)	Temp.(°C)*
0233510	1/2F X 3/4M X 1/2M	57	30	41	29	23	16	0 to 95

\*Freezing is excluded.


**MINI TEE MALE - MALE - MALE METAL HANDLE**

Code	Size	A (mm)	B (mm)	C (mm)	D (mm)	H (mm)	PN (bar)	Temp. (°C)*
02325	1/2M X 1/2M X 1/2M	48	24	40	29	22	16	0 to 95

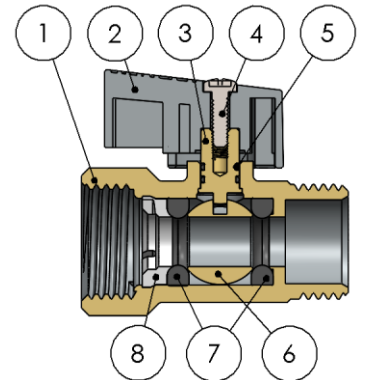
\*Freezing is excluded.




**MATERIALS**
**MODELS 2207C, A2207, 2207R**

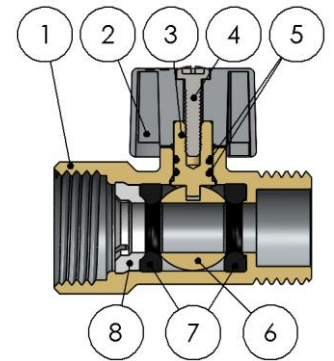
Item	Component	Material	Finishing
1	Body	Brass CW617N	Chrome plated
2	Handle	ABS	Blue, red o Chrome plated*
3	Stem	Brass CW614N	Brass color
4	Screw	Stainless steel	Stainless steel
5	O-rings	NBR	-
6	Ball	Brass CW614N	Chrome plated
7	Seat	NBR	-
8	Supporting clip	POM	-

\* Variable finish according to model.


**MODELS 02204, 02206**

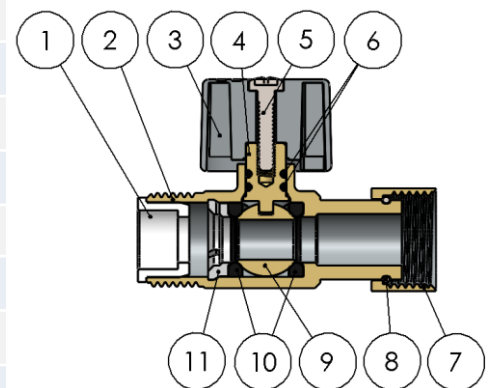
Item	Component	Material	Finishing
1	Body	Brass CW617N	Chrome plated *
2	Handle	ZAMAK	Chrome plated
3	Stem	Brass CW614N	Brass color
4	Screw	Stainless steel	Stainless steel
5	O-rings	NBR	-
6	Ball	Brass CW614N	Chrome plated
7	Seat	NBR	-
8	Supporting clip	POM	-

\* Model 02206 polished chrome finish.


**MODELS 02267, 02267U, SA267, 02270**

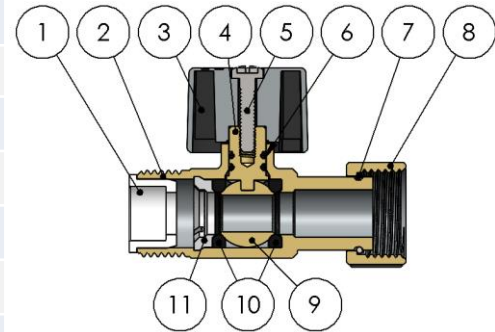
Item	Component	Material	Finishing
1	Adaptader *	PA	-
2	Body	Brass CW617N	Chrome plated
3	Handle	ZAMAK	Chrome plated
4	Stem	Brass CW614N	Brass color
5	Screw	Stainless steel	Stainless steel
6	O-rings	NBR	-
7	Nut	Brass CW614N	Chrome plated
8	Ring	Stainless steel	Stainless steel
9	Ball	Brass CW614N	Chrome plated
10	Seat	NBR	-
11	Supporting clip	POM	-

\* Except for model 02270, it is delivered without an adapter.

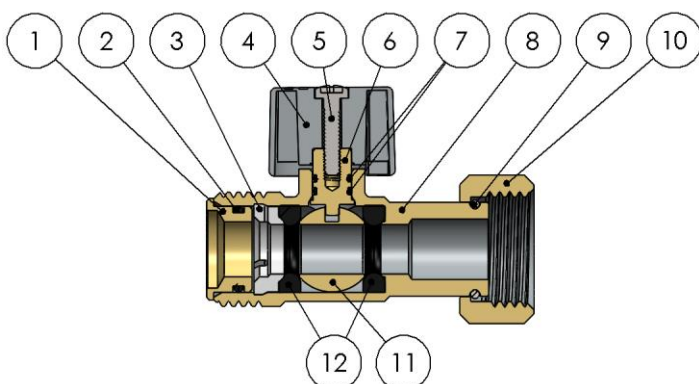



**MODEL 02268W**

Item	Component	Material	Finishing
1	Adaptader	PA	-
2	Body	Brass CW617N	Brass color
3	Handle	ZAMAK	Black
4	Stem	Brass CW614N	Brass color
5	Screw	Stainless steel	Stainless steel
6	O-rings	NBR	-
7	Ring	Stainless steel	Stainless steel
8	Nut	Brass CW614N	Brass color
9	Ball	Brass CW614N	Chrome plated
10	Seat	NBR	-
11	Supporting clip	POM	-

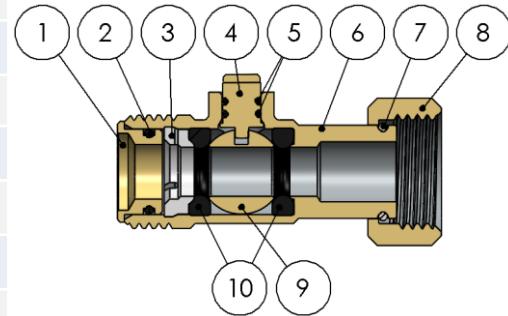

**MODEL P2290**

Item	Component	Material	Finishing
1	Adaptader	Brass CW614N	Brass color
2	O-ring	NBR	-
3	Supporting clip	POM	-
4	Handle	ZAMAK	Chrome plated
5	Screw	Stainless steel	Stainless steel
6	Stem	Brass CW614N	Brass color
7	O-rings	NBR	-
8	Body	Brass CW617N	Chrome plated
9	Ring	Stainless steel	Stainless steel
10	Nut	Brass CW617N	Chrome plated
11	Ball	Brass CW614N	Chrome plated
12	Seat	NBR	-

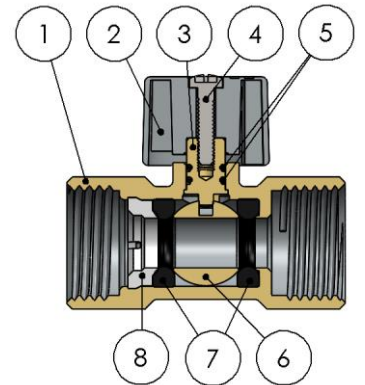



**MODEL P2288**

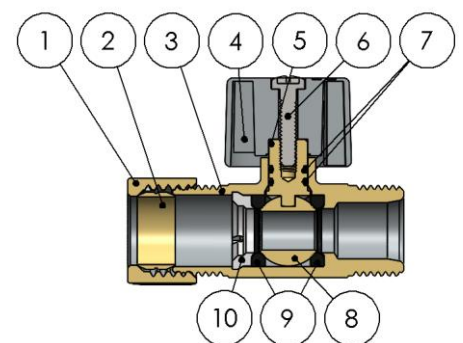
Item	Component	Material	Finishing
1	Adaptader	Brass CW614N	Brass color
2	O-rings	NBR	-
3	Supporting clip	POM	-
4	Stem	Brass CW614N	Brass color
5	O-rings	NBR	-
6	Body	Brass CW617N	Chrome plated
7	Ring	Stainless steel	Stainless steel
8	Nut	Brass CW617N	Chrome plated
9	Ball	Brass CW614N	Chrome plated
10	Seat	NBR	-


**MODEL 02249**

Item	Component	Material	Finishing
1	Body	Brass CW617N	Chrome plated
2	Handle	ZAMAK	Chrome plated
3	Stem	Brass CW614N	Brass color
4	Screw	Stainless steel	Stainless steel
5	O-rings	NBR	-
6	Ball	Brass CW614N	Chrome plated
7	Seat	NBR	-
8	Supporting clip	POM	-

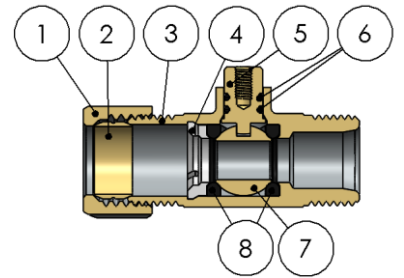

**MODEL 02285**

Item	Component	Material	Finishing
1	Nut	Brass CW614N	Chrome plated
2	Sleeve	Brass CW614N	Brass color
3	Body	Brass CW617N	Chrome plated
4	Handle	ZAMAK	Chrome plated
5	Stem	Brass CW614N	Brass color
6	Screw	Stainless steel	Stainless steel
7	O-rings	NBR	-
8	Ball	Brass CW614N	Chrome plated
9	Seat	NBR	-
10	Supporting clip	POM	-

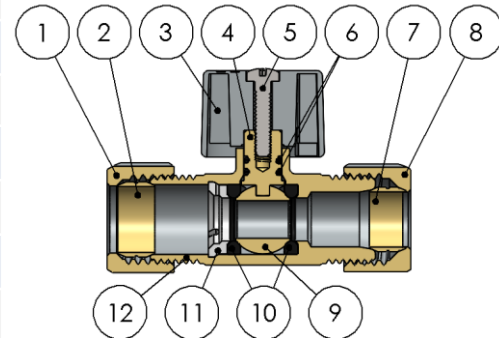



**MODEL 02237**

Item	Component	Material	Finishing
1	Nut	Brass CW614N	Chrome plated
2	Sleeve	Brass CW614N	Brass color
3	Body	Brass CW617N	Chrome plated
4	Supporting clip	POM	-
5	Stem	Brass CW614N	Brass color
6	O-rings	NBR	-
7	Ball	Brass CW614N	Chrome plated
8	Seat	NBR	-

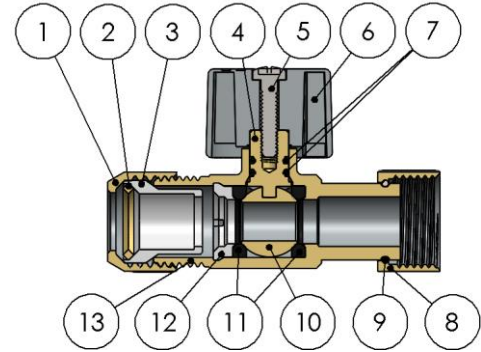

**MODELS 02229, 02217, 02355, S2273A, S2358A, 02202**

Item	Component	Material	Finishing
1	Nut	Brass CW614N	Chrome plated
2	Sleeve	Brass CW614N	Brass color
3	Handle	ZAMAK	Chrome plated
4	Stem	Brass CW614N	Brass color
5	Screw	Stainless steel	Stainless steel
6	O-rings	NBR	-
7	Sleeve	Brass CW614N	Brass color
8	Nut	Brass CW614N	Chrome plated
9	Ball	Brass CW614N	Chrome plated
10	Seat	NBR	-
11	Supporting clip	POM	-
12	Body	Brass CW617N	Chrome plated

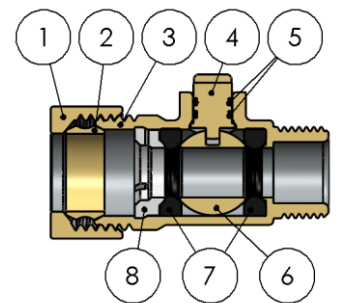



**MODEL 02275**

Item	Component	Material	Finishing
1	Nut	Brass CW614N	Chrome plated
2	Washer	Brass CW614N	Brass color
3	Sleeve	PA	-
4	Stem	Brass CW614N	Brass color
5	Screw	Stainless steel	Stainless steel
6	Handle	ZAMAK	Chrome plated
7	O-rings	NBR	-
8	Nut	Brass CW614N	Chrome plated
9	Ring	Stainless steel	Stainless steel
10	Ball	Brass CW614N	Chrome plated
11	Seat	NBR	-
12	Supporting clip	POM	-
13	Body	Brass CW617N	Chrome plated

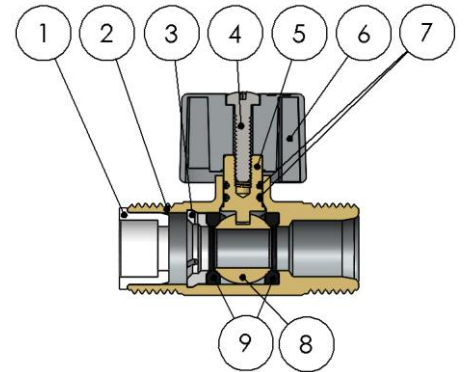

**MODEL 02227**

Item	Component	Material	Finishing
1	Nut	Brass CW617N	Chrome plated
2	Sleeve	Brass CW614N	Brass color
3	Body	Brass CW617N	Chrome plated
4	Stem	Brass CW614N	Brass color
5	O-rings	NBR	-
6	Ball	Brass CW614N	Chrome plated
7	Seat	NBR	-
8	Supporting clip	POM	-




**MODELS 02236, P2236, 02210, 02238, 02205**

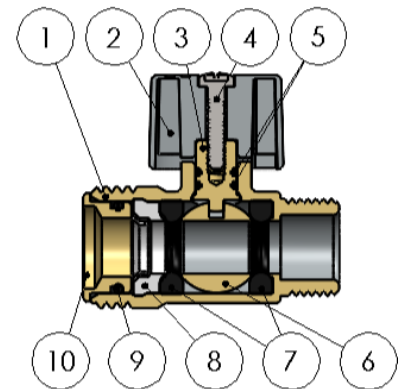
Item	Component	Material	Finishing
1	Adaptader*	PA	-
2	Body	Brass CW617N	Chrome plated
3	Supporting clip	POM	-
4	Screw	Stainless steel	Stainless steel
5	Stem	Brass CW614N	Brass color
6	Handle	ZAMAK	Chrome plated
7	O-rings	NBR	-
8	Ball	Brass CW614N	Chrome plated
9	Seat	NBR	-



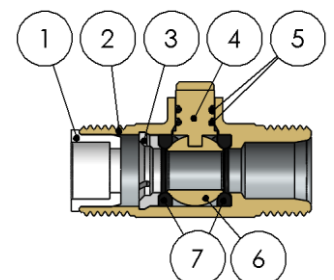
\*Only on the P2236 model.

**MODEL P2238**

Item	Component	Material	Finishing
1	Body	Brass CW617N	Chrome plated
2	Handle	ZAMAK	Chrome plated
3	Stem	Brass CW614N	Brass color
4	Screw	Stainless steel	Stainless steel
5	O-rings	NBR	-
6	Ball	Brass CW614N	Chrome plated
7	Seat	NBR	-
8	Supporting clip	POM	-
9	O-ring	NBR	-
10	Adaptader	Brass CW614N	Brass color

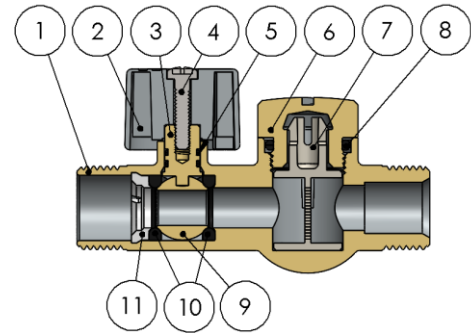

**MODEL P2237**

Item	Component	Material	Finishing
1	Adaptader	PA	-
2	Body	Brass CW617N	Chrome plated
3	Supporting clip	POM	-
4	Stem	Brass CW614N	Brass color
5	O-rings	NBR	-
6	Ball	Brass CW614N	Chrome plated
7	Seat	NBR	-

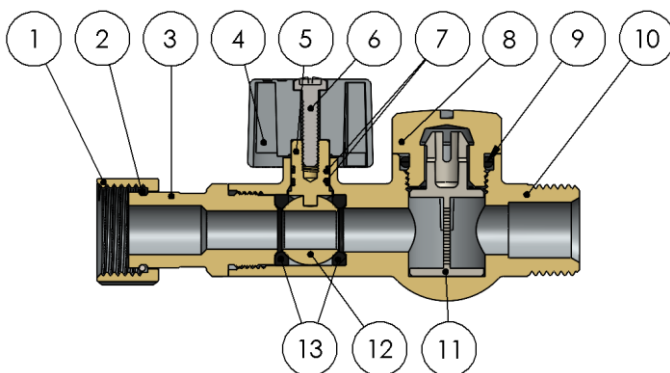



**MODEL MF200AD**

Item	Component	Material	Finishing
1	Body	Brass CW617N	Chrome plated
2	Handle	ZAMAK	Chrome plated
3	Stem	Brass CW614N	Brass color
4	Screw	Stainless steel	Stainless steel
5	O-rings	NBR	-
6	Cap	Brass CW614N	Chrome plated
7	Filter	POM	-
8	O-ring	NBR	-
9	Ball	Brass CW614N	Chrome plated
10	Seat	NBR	-
11	Supporting clip	POM	-

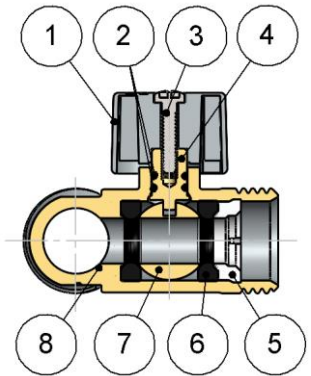

**MODEL MF210**

Item	Component	Material	Finishing
1	Nut	Brass CW614N	Chrome plated
2	Ring	Stainless steel	Stainless steel
3	Lateral	Brass CW614N	Chrome plated
4	Handle	ZAMAK	Chrome plated
5	Stem	Brass CW614N	Brass color
6	Screw	Stainless steel	Stainless steel
7	O-rings	NBR	-
8	Cap	Brass CW614N	Chrome plated
9	O-ring	NBR	-
10	Body	Brass CW617N	Chrome plated
11	Filter	POM	-
12	Ball	Brass CW614N	Chrome plated
13	Seat	NBR	-




**MODELS 02325, 0233510**

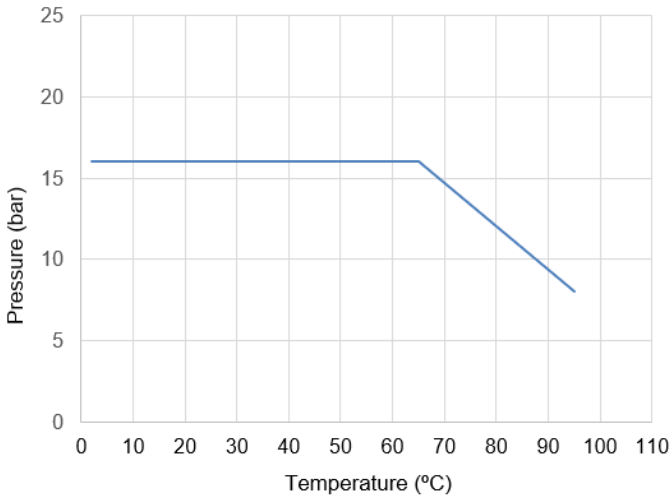
Item	Component	Material	Finishing
1	Handle	ZAMAK	Chrome plated
2	O-rings	NBR	-
3	Screw	Stainless steel	Stainless steel
4	Stem	Brass CW614N	Brass color
5	Supporting clip	POM	-
6	Seat	NBR	-
7	Ball	Brass CW614N	Chrome plated
8	Body	Brass CW617N	Chrome plated





**TECHNICAL DATA**

**Pressure vs. temperature**



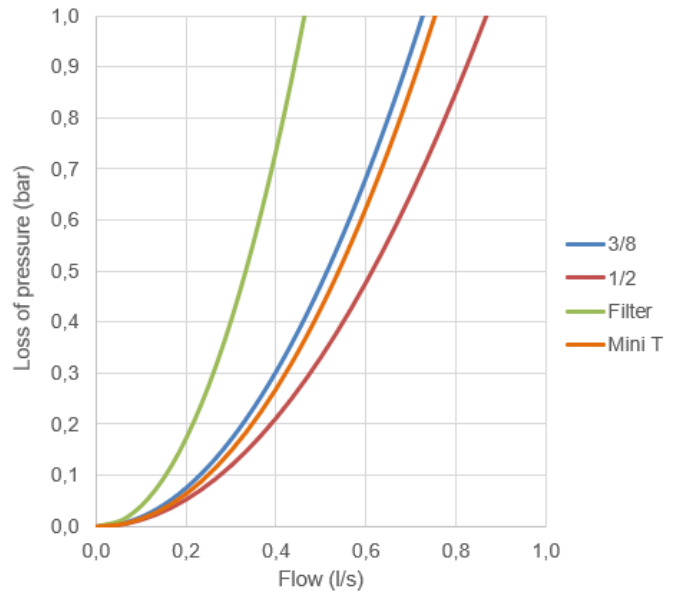
Temperature range excludes freezing.

**Compatibility with fluids**

Fluid	Compatibility
Drinking water and domestic hot water	Excellent

For any other fluid, please contact Arco technical service.

**Hydraulic features.  
Flow vs. loss of pressure.**



Size	3/8	1/2	Filter	Mini TEE
Kv	2,60	3,10	1,70	2,70

Kv (m<sup>3</sup>/h), cubic meters per hour that flow through the valve generating a loss of 1 bar pressure.

**INSTALLATION AND OPERATION INSTRUCTIONS**

Before performing any action, the water supply to the installation should be shut off. Make sure there is no dirt or foreign objects in the connection to the network. Apply the appropriate sealing material to the inlet thread of the valve. The valve should be installed with a suitable tool, preferably with a wrench to hold the body. The tool should act on the flat surfaces of the valve body to avoid deforming this area due to excessive pressure from the tool. Restore the water supply and check the tightness of all connections before fixing the valve to service.

Do not alter the assembly of the valve components; replacement or disassembly of the handle may cause external leaks. Quarter-turn valves should always operate in a fully open position.



All products have an environmental impact during its life cycle, even once retired. All the components of this product can be recycled. Once the use is over, leave the valve in any recycling green point. Válvulas Arco reserves the right to change the product or any of its technical specifications without prior notice.

FT03000ING – Edition 2024-12