



SWING CHECK VALVE METAL PLATE WITH ELASTIC CLOSURE

Oscillating check valves with joint closure where the connection is made by threaded ends.

- Piston with low friction.
- More flow with a larger passage section.
- Low noise level.



TECHNICAL SHEET SWING CHECK VALVE METAL PLATE WITH ELASTIC CLOSURE

PRODUCT DESCRIPTION

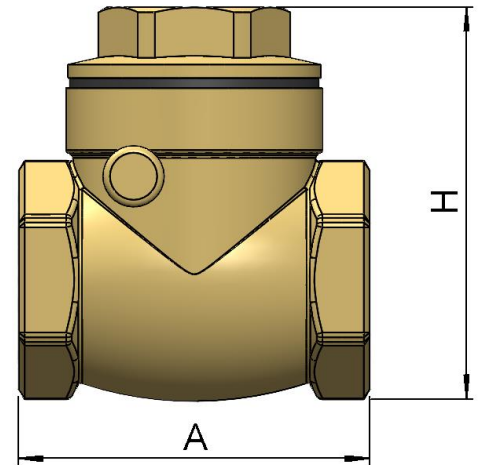
Oscillating check valves with joint closure where the connection is made by threaded ends. It is suitable in water installations that require a device that prevents water backflow.

PRODUCT SCOPE

- Plumbing installations of cold water and sanitary hot water.

GENERAL DIMENSIONS, PRESSURE AND TEMPERATURE

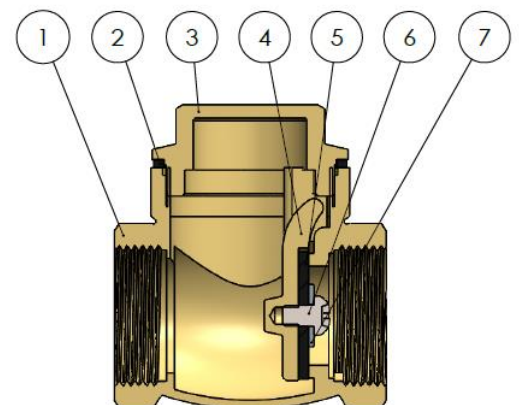
Code	Size	A (mm)	H (mm)	PN (BAR)	Temp. (°C)*
190203	1/2F-F	48	47	16	0 to 85
190204	3/4F-F	52	58	16	0 to 85
190205	1F-F	63	65	16	0 to 85
190206	1 1/4F-F	74	77	16	0 to 85
190207	1 1/2F-F	80	83	16	0 to 85
190208	2F-F	98	103	16	0 to 85
190209	2 1/2F-F	120	125	16	0 to 85
190210	3F-F	135	145	16	0 to 85
190211	4F-F	160	172	16	0 to 85



* Freezing is excluded.

MATERIALS

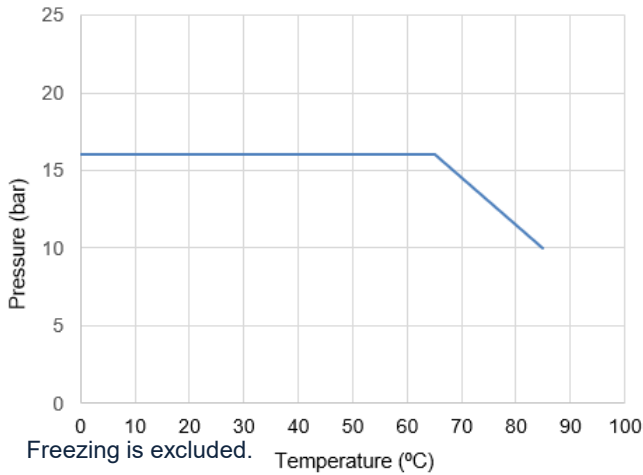
Item	Component	Material	Finishing
1	Body	Brass CW617N	Brass color
2	Joint	NBR	-
3	Cap	Brass CW617N	Brass color
4	Piston	Brass CW614N	Brass color
5	Joint	NBR	-
6	Screw	Stainless steel	Stainless steel
7	Washer	Stainless steel	Stainless steel





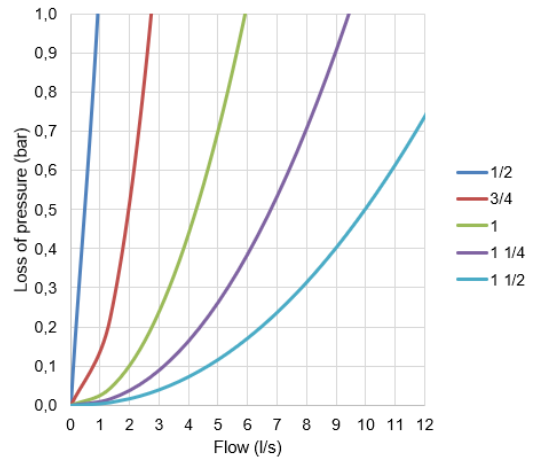
TECHNICAL DATA

Pressure vs. temperature.

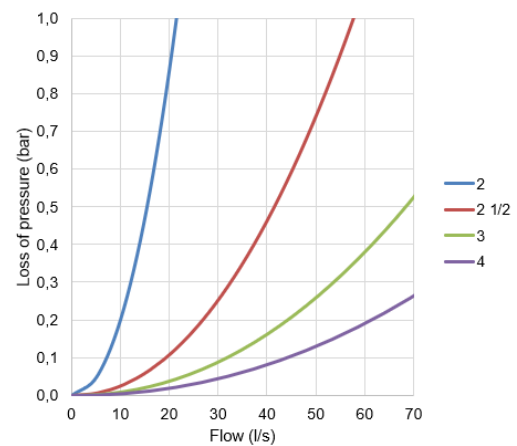


Hydraulic features. Flow vs. loss of pressure.

Models from 1/2 to 1 1/2



Models from 2 to 4



Compatibility with fluids

Fluid	Compatibility
Water	Good
Water + 50% Glycol	Good
Oil	Medium

For any other fluid, please contact Arco technical service.

Size	1/2	3/4	1	1 1/4	1 1/2	2	2 1/2	3	4
Kv	3,7	9,8	21,3	33,9	49,9	77,2	207,8	342,6	476,6

Kv (m³/h), cubic meters per hour that flow through the valve generating a loss of pressure of 1 bar.

INSTALLATION AND OPERATION INSTRUCTIONS

Before performing any action, the water supply to the installation should be shut off. Make sure there is no dirt or foreign objects in the connection to the network. Apply the appropriate sealing material to the inlet thread of the valve.

It do not require specific maintenance, the use of a filter upstream of the check valve is recommended to ensure the correct operation of the valve. It can only be installed in a horizontal position, following the direction of the arrow engraved on the body.

The valve should be installed with a suitable tool, preferably with a wrench to hold the body. The tool should act on the flat surfaces of the valve body to avoid deforming this area due to excessive pressure from the tool.

Do not alter the assembly of the valve components; replacement or disassembly of the handle may cause external leaks.



All products have an environmental impact during its life cycle, even once retired. All the components of this product can be recycled. Once the use is over, leave the valve in any recycling green point. Válvulas Arco reserves the right to change the product or any of its technical specifications without prior notice.

FT08030ING – Edition 2024-12