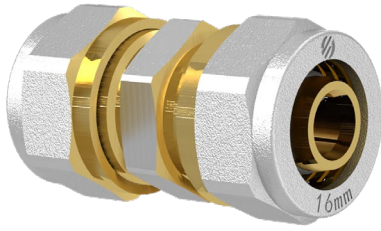


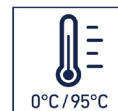


MULTILAYER COMPRESSION FITTING

Compression fittings for multilayer pipe where the connection to the pipe is made by compression of the sleeve-nut system.



- European Brass, DW (4MS) quality for use in drinking water installations.
- Nickel-free water way for greater health.
- Double O-ring.
- Metal compression metallic.
- One fitting for two pipes: 25x2,5 and 26x3,0.
- Outer Nickel-plated finish.



TECHNICAL SHEET MULTILAYER COMPRESSION FITTING

PRODUCT DESCRIPTION

Brass fittings for multilayer pipe installations where the connection to the pipe is made by compression of the sleeve-nut system.

This system allows the connection to be disassembled during installation and then retightened.

PRODUCT SCOPE

Compression brass fittings for multilayer pipes are suitable due to their design and materials for use in:

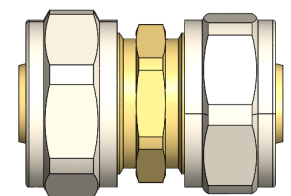
- Plumbing installations for drinking water and domestic hot water.
- Water distribution networks.
- Heating systems with radiators or underfloor heating.

And in general, for all applications where multilayer pipes are used according to the specified service conditions.

GENERAL DIMENSIONS, PRESSURE AND TEMPERATURE

DOUBLE COUPLING

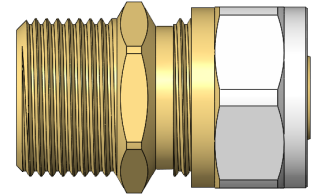
Code	Size	PN (BAR)	Temp. (°C)
864010A	16 X 2,0	16	0 to 95
864012A	18 X 2,0	16	0 to 95
864015A	20 X 2,0	16	0 to 95
864020A	25 X 2,5 (26 X 3,0)	16	0 to 95
864025A	32 X 3,0	16	0 to 95



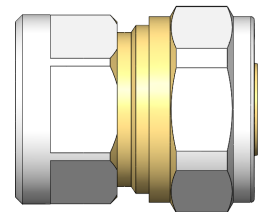
* Excluding freezing


MALE COUPLING

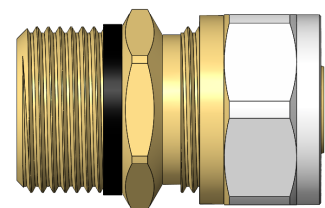
Code	Size	PN (BAR)	Temp. (°C)
863505A	16 X 2,0 - 3/8M	16	0 to 95
863510A	16 X 2,0 - 1/2M	16	0 to 95
863515A	16 X 2,0 - 3/4M	16	0 to 95
863512A	18 X 2,0 - 1/2M	16	0 to 95
863520A	20 X 2,0 - 1/2M	16	0 to 95
863525A	20 X 2,0 - 3/4M	16	0 to 95
863540A	25 X 2,5 (26 X 3,0) - 3/4M	16	0 to 95
863545A	25 X 2,5 (26 X 3,0) - 1M	16	0 to 95
863550A	32 X 3,0 - 1M	16	0 to 95


FEMALE COUPLING

Code	Size	PN (BAR)	Temp. (°C)
863005A	16 X 2,0 - 3/8F	16	0 to 95
863010A	16 X 2,0 - 1/2F	16	0 to 95
863015A	16 X 2,0 - 3/4F	16	0 to 95
863012A	18 X 2,0 - 1/2F	16	0 to 95
863020A	20 X 2,0 - 1/2F	16	0 to 95
863025A	20 X 2,0 - 3/4F	16	0 to 95
863055A	25 X 2,5 (26 X 3,0) - 3/4F	16	0 to 95
863060A	25 X 2,5 (26 X 3,0) - 1F	16	0 to 95
863065A	32 X 3,0 - 1F	16	0 to 95


MALE COUPLING WITH O-RING

Code	Size	PN (BAR)	Temp. (°C)
863610A	16 X 2,00 - 1/2M	16	0 to 95
863620A	20 X 2,00 - 1/2M	16	0 to 95

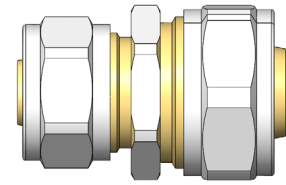


* Excluding freezing



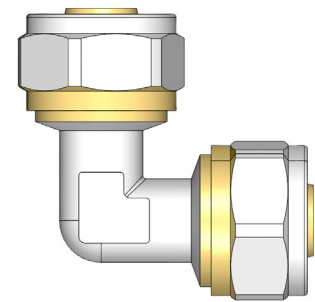
REDUCING COUPLING

Code	Size	PN (BAR)	Temp. (°C)
864510A	20 X 2,0 – 16 X 2,0	16	0 to 95
864540A	25X2,5 (26X3,0) - 20X2,0	16	0 to 95
864545A	32X3,0 - 25X2,5 (26X3,0)	16	0 to 95



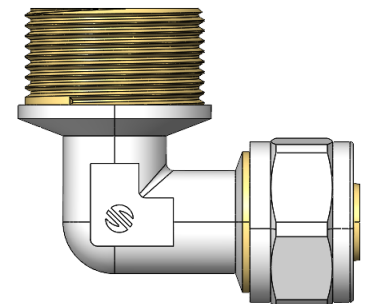
DOUBLE ELBOW

Code	Size	PN (BAR)	Temp. (°C)
865010A	16 X 2,0	16	0 to 95
865012A	18 X 2,0	16	0 to 95
865015A	20 X 2,0	16	0 to 95
865030A	25 X 2,5 (26 X 3,0)	16	0 to 95
865035A	32 X 3,0	16 </td <td>0 to 95</td>	0 to 95



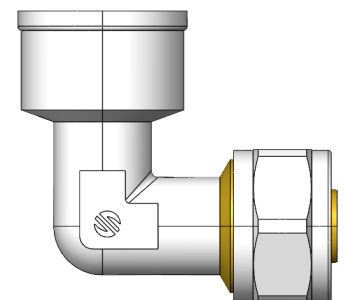
MALE ELBOW

Code	Size	PN (BAR)	Temp. (°C)
866010A	16 X 2,0 – 1/2M	16	0 to 95
866015A	16 X 2,0 – 3/4M	16	0 to 95
866020A	20 X 2,0 - 1/2M	16	0 to 95
866025A	20 X 2,0 - 3/4M	16	0 to 95
866050A	25 X 2,5 (26 X 3,0) - 3/4M	16	0 to 95
866055A	25 X 2,5 (26 X 3,0) - 1M	16	0 to 95
866060A	32 X 3,0 - 1M	16	0 to 95



FEMALE ELBOW

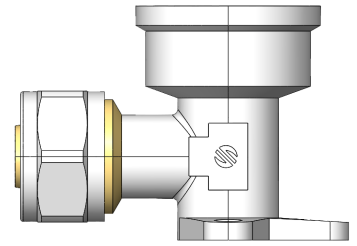
Code	Size	PN (BAR)	Temp. (°C)
865510A	16 X 2,0 – 1/2F	16	0 to 95
865515A	16 X 2,0 – 3/4F	16	0 to 95
865520A	20 X 2,0 - 1/2F	16	0 to 95
865525A	20 X 2,0 - 3/4F	16	0 to 95
865540A	25 X 2,5 (26 X 3,0) - 3/4F	16	0 to 95
865545A	25 X 2,5 (26 X 3,0) - 1F	16	0 to 95
865555A	32 X 3,0 - 1F	16	0 to 95



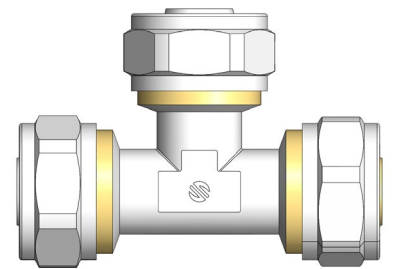
* Excluding freezing


FEMALE WALLPLE ELBOW

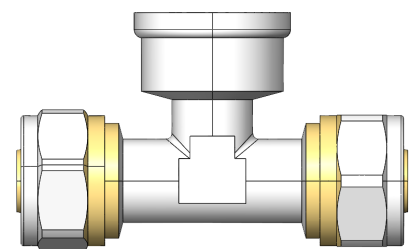
Code	Size	PN (BAR)	Temp. (°C)
860010A	16 X 2,0 – 1/2F	16	0 to 95
860015A	16 X 2,0 – 3/4F	16	0 to 95
860020A	20 X 2,0 - 1/2F	16	0 to 95
860025A	20 X 2,0 - 3/4F	16	0 to 95


EQUAL TE

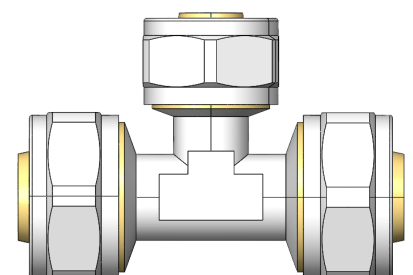
Code	Size	PN (BAR)	Temp. (°C)
860510A	16 X 2,0	16	0 to 95
860512A	18 X 2,0	16	0 to 95
860515A	20 X 2,0	16	0 to 95
860530A	25 X 2,5 (26 X 3,0)	16	0 to 95
860535A	32 X 3,0	16	0 to 95


FEMALE TEE

Code	Size	PN (BAR)	Temp. (°C)
867010A	16 X 2,0 - 1/2F- 16 X 2,0	16	0 to 95
867012A	18 X 2,0 - 1/2F -18 X 2,0	16	0 to 95
867020A	20 X 2,0 - 3/4F - 20 X 2,0	16	0 to 95


REDUCING TEE

Code	Size	PN (BAR)	Temp. (°C)
861030A	20 X 2,0 - 16 X 2,0 - 16 X 2,0	16	0 to 95
861040A	20 X 2,0 - 16 X 2,0 - 20 X 2,0	16	0 to 95
861520A	25 X 2,5 (26 X 3,0) - 16 X 2,0 – 25 X 2,5 (26X3,0)	16	0 to 95
861537A	25 X 2,5 (26 X 3,0) - 20 X 2,0 – 25 X 2,5 (26X3,0)	16	0 to 95

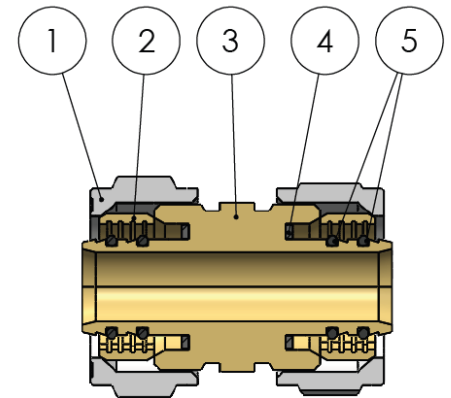


* Excluding freezing



MATERIALS

Item	Component	Material	Finishing
1	Nut	Brass CW617N	Nickel-plated
2	Sleeve	Brass CW617N	Brass color
3	Body	Brass CW617N	Outer Nickel-plated Nickel-free inner
4	Washer	PE	-
5	O-ring	EPDM	-



TECHNICAL DATA

Compatibility with fluids

Fluid	Compatibility
Drinking water and domestic hot water	Excellent
Water + 50% Glicol (max.)	Good

For any other fluid, please contact Arco technical service.

INSTALLATION AND OPERATION INSTRUCTIONS

Before performing any action, the water supply to the installation must be shut off.

Before assembling the fitting, the multilayer pipe must be properly prepared to ensure a straight cut free of burrs or other elements that could damage the O-ring during assembly. Additionally, the exterior should be clean, free of other materials, and without surface damage.

It is recommended to moisten the external and internal parts of the pipe with clean water where the fitting is to be assembled, to facilitate this process. Special care should be taken to correctly position the sleeve, that is, with the saw teeth facing opposite to the direction of pipe extraction from the fitting.

Restore the water supply and check the tightness of all connections before fixing the valve to service.



All products have an environmental impact during its life cycle, even once retired. All the components of this product can be recycled. Once the use is over, leave the valve in any recycling green point. Válvulas Arco reserves the right to change the product or any of its technical specifications without prior notice.

FT90030ING – Edition 2024-12