



SPRING CHECK VALVE VITAQ

VITAQ anti-pollution check valves where the connection is made by threaded ends.

- VITAQ system, more life, less lime at higher temperatures.
- Without reducing flow, it prolongs comfort at service points.
- European Brass, DW (4MS) quality for use in drinking water installations.
- Piston with low friction.
- More flow with a larger passage section.
- Low noise level.
- Resist 200.000 cycles* (see test conditions).



TECHNICAL SHEET SPRING CHECK VALVE VITAQ

PRODUCT DESCRIPTION

VITAQ anti-pollution check valve with centred longitudinal axis EB type, with connection by threaded union.

VITAQ system increase the valve life span and flow comfort in hard water areas.

PRODUCT SCOPE

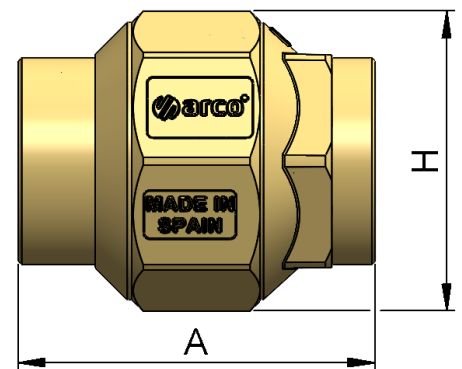
Recommended for water installations.

- Drinking water networks.
- Plumbing installations of cold water and sanitary hot water.
- Pumping groups.
- Heating installations.
- NOT for use with wastewater.

GENERAL DIMENSIONS, PRESSURE AND TEMPERATURE

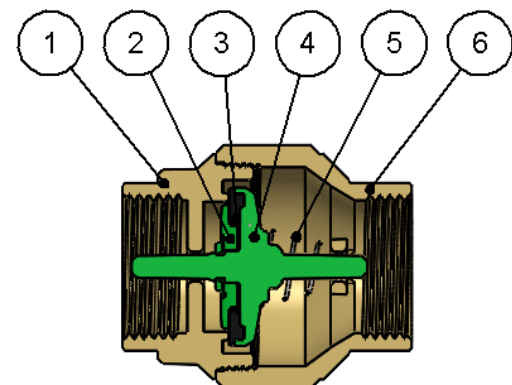
Code	Size	A (mm)	H (mm)	PN (bar)	Temp. (°C)*
191203	1/2 F-F	48	35	16	0 to 85
191204	3/4 F-F	53	45	16	0 to 85
191205	1 F-F	61	48	16	0 to 85
191206	1 1/4 F-F	67	60	16	0 to 85
191207	1 1/2 F-F	73	71	16	0 to 85
191208	2 F-F	80	87	16	0 to 85
191209	2 1/2 F-F	100	103	16	0 to 85

* Freezing is excluded.



MATERIALS

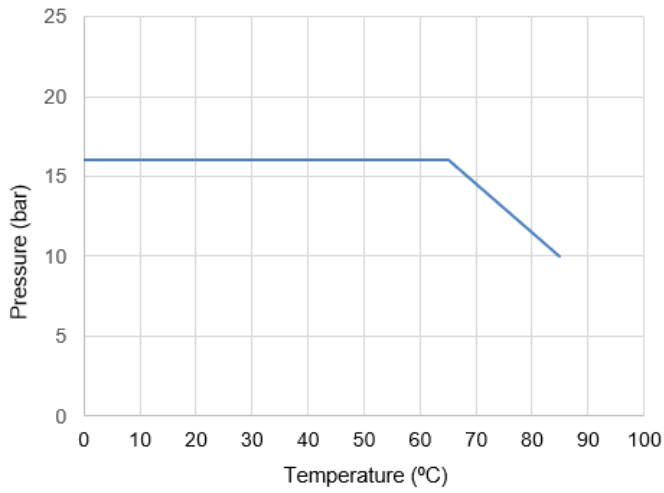
Item	Component	Material	Finishing
1	Lateral	Brass CW617N	Brass color
2	Supporting clip	Anti-lime polymer	VITAQ
3	Joint	NBR	-
4	Piston	Anti-lime polymer	VITAQ
5	Spring	Stainless steel	Stainless steel
6	Body	Brass CW617N	Brass color





TECHNICAL DATA

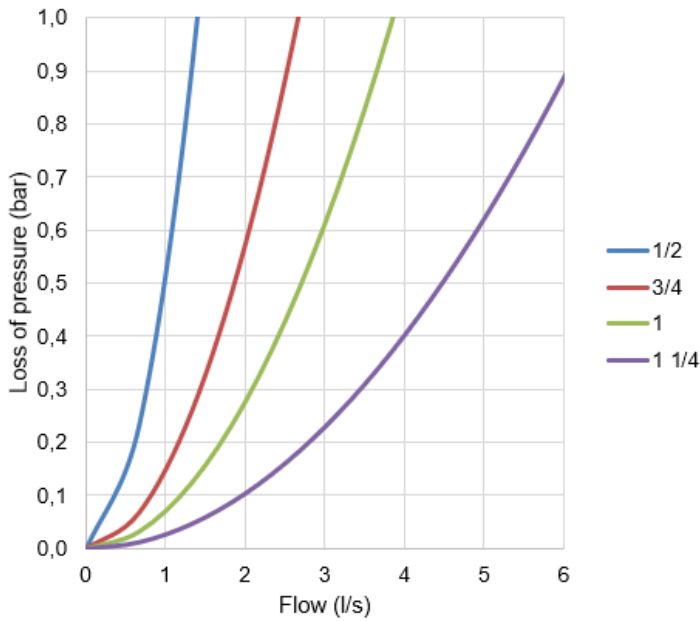
Pressure vs. temperature.



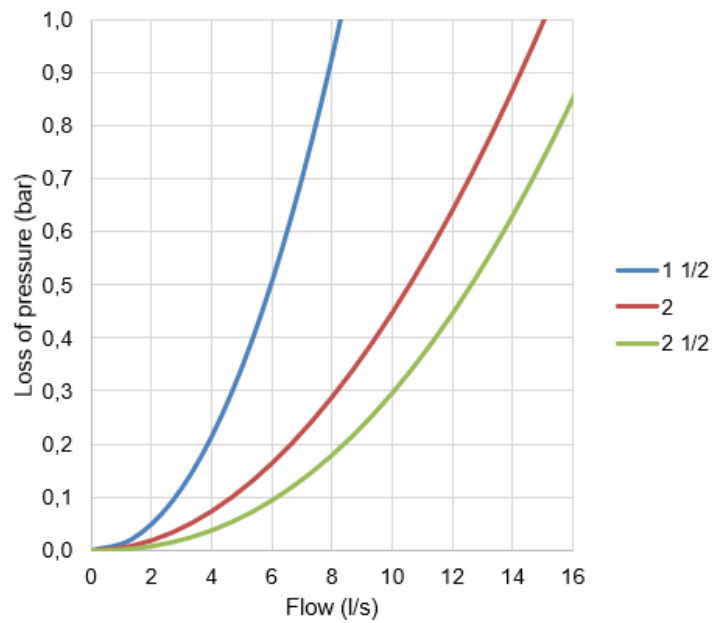
Freezing is excluded.

Hydraulic features. Flow vs. loss of pressure.

Models from 1/2 to 1 1/4



Models from 1 1/2 to 2 1/2



Size	1/2	3/4	1	1 1/4	1 1/2	2	2 1/2
Kv	5,0	9,6	13,9	23,0	29,8	54,2	62,0

Kv (m³/h), cubic meters per hour that flow through the valve generating a loss of pressure of 1 bar.



Minimum opening pressure

Size	1/2	3/4	1	1 1/4	1 1/2	2	2 1/2
mbar	30	15	15	20	20	20	15

Compatibility with fluids

Fluid	Compatibility
Drinking water and hot domestic water	Excellent
Water + 50% Glycol (maximum)	Good

For any other fluid, please contact Arco technical service.

INSTALLATION AND OPERATION INSTRUCTIONS

Before performing any action, the water supply to the installation should be shut off. Make sure there is no dirt or foreign objects in the connection to the network. Apply the appropriate sealing material to the inlet thread of the valve.

It does not require specific maintenance, the use of a filter upstream of the check valve is recommended to ensure the correct operation of the valve.

It should be installed horizontally or vertically but always following the direction of the engraved arrow.

The valve should be installed with a suitable tool, preferably with a wrench to hold the body. The tool should act on the flat surfaces of the valve body to avoid deforming this area due to excessive pressure from the tool.

Do not alter the assembly of the valve components; replacement or disassembly of the handle may cause external leaks.

It should not be installed for wastewater or water containing fibrous or suspended elements, risk of blockage of the check valve, malfunction or breakage of the check valve.



All products have an environmental impact during its life cycle, even once retired. All the components of this product can be recycled. Once the use is over, leave the valve in any recycling green point. Válvulas Arco reserves the right to change the product or any of its technical specifications without prior notice.

FT08000ING – Edition 2024-12