

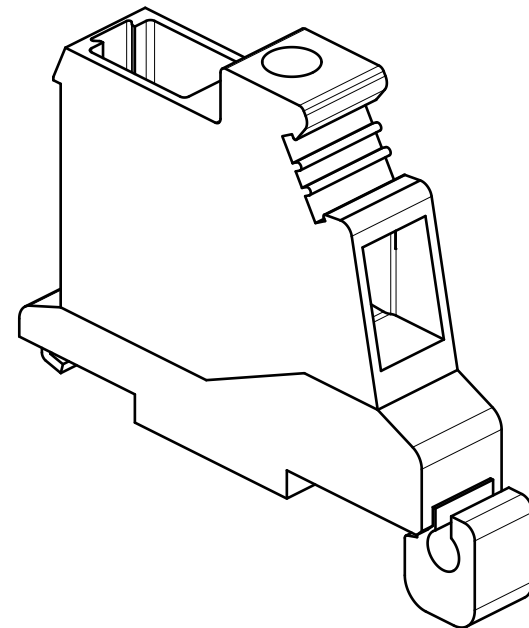
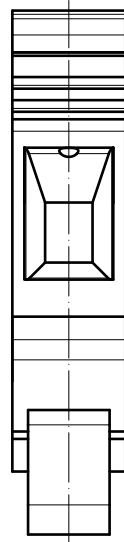
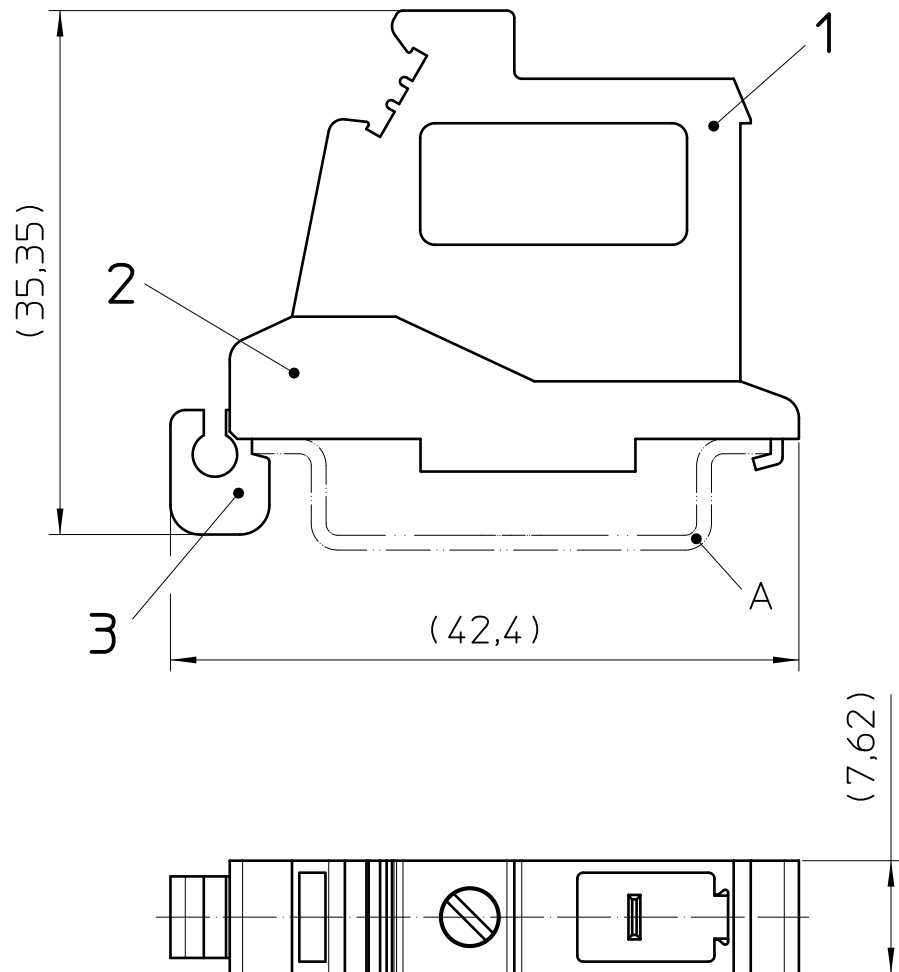
Weitergabe sowie Vervielfältigung dieses Dokuments, Verwertung und Mitteilung seines Inhalts sind verboten, soweit nicht ausdrücklich gestattet. Zuwiderhandlungen verpflichten zu Schadenersatz. Alle Rechte für den Fall der Patent-, Gebrauchsmuster- oder Designeintragung vorbehalten. Bauartbedingtes Spiel ist in den Toleranzangaben nicht berücksichtigt.

Transfer or duplication of this document as well as the utilisation or communication of its content are not permitted unless express consent is granted. Violations give rise to claims for damages. All rights reserved in case of patent, utility model or design patent registrations. Tolerance specifications do not include clearances inherent in the design.

A

Simplified representation

A



B

General Information:

- Tolerances apply in a normal climate according to DIN EN ISO 291-23/50-2, PA plastic parts with about 2% (% by weight) moisture content.
- Web: www.phoenixcontact.com

Additional Information:

- A) Mounting rail like EN 60715, TH 35-7,5 or mounting rail similar to EN 60715, TH 35-15x1,5

C

D

| Pos. | QTY | Description | Material |
|------|-----|--------------|----------|
| 1 | 1 | HOUSING | PA |
| 2 | 1 | HOUSING FOOT | PA |
| 3 | 1 | METAL FOOT | Cu alloy |

| | | | | |
|--------|-------------------|--------------------------|-------|----------------------------------------------------------------------------------------------------|
| | document-no. / ri | article-no. | scale | - Simplified representation - Document excluded from change process - Linear dimensions [mm] |
| | 00354902 / 02 | 1876246 | | |
| | date | document-type | | |
| | 04.05.2026 | TECDOC 2D-PRODUCTDRAWING | | |
| page 1 | of 1 | description | | |
| | | PCVK 4-7,62-PE | | |