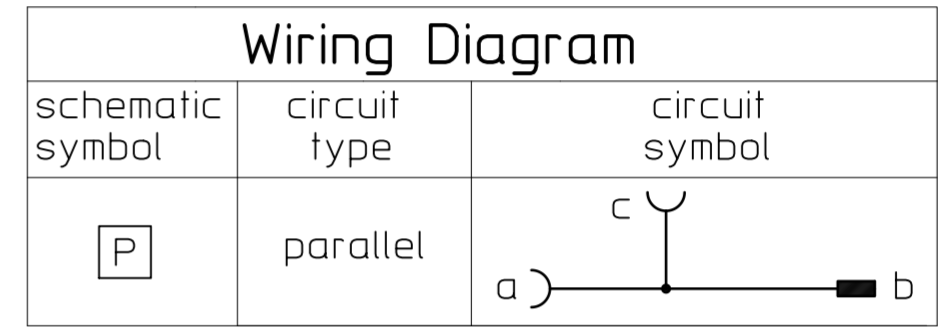
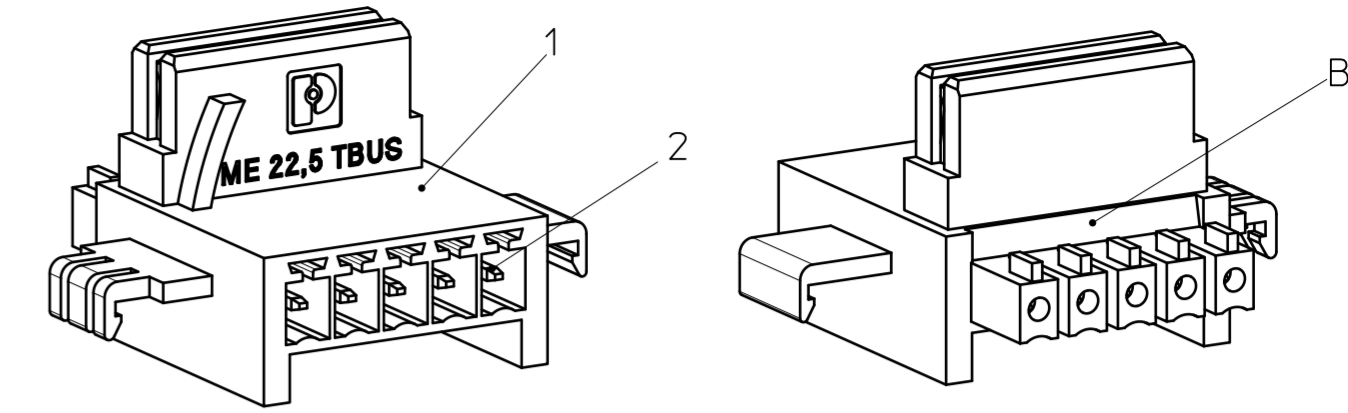
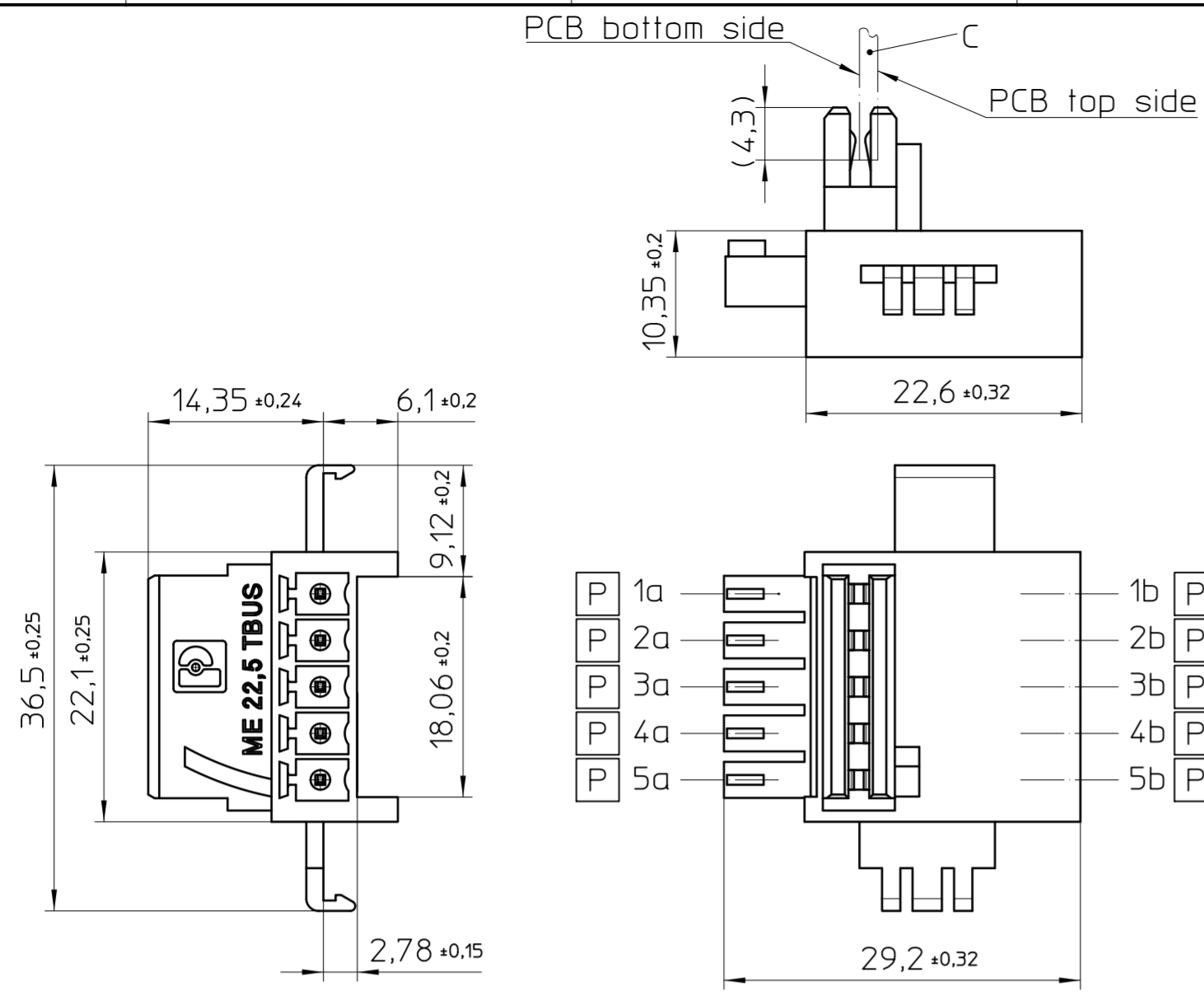
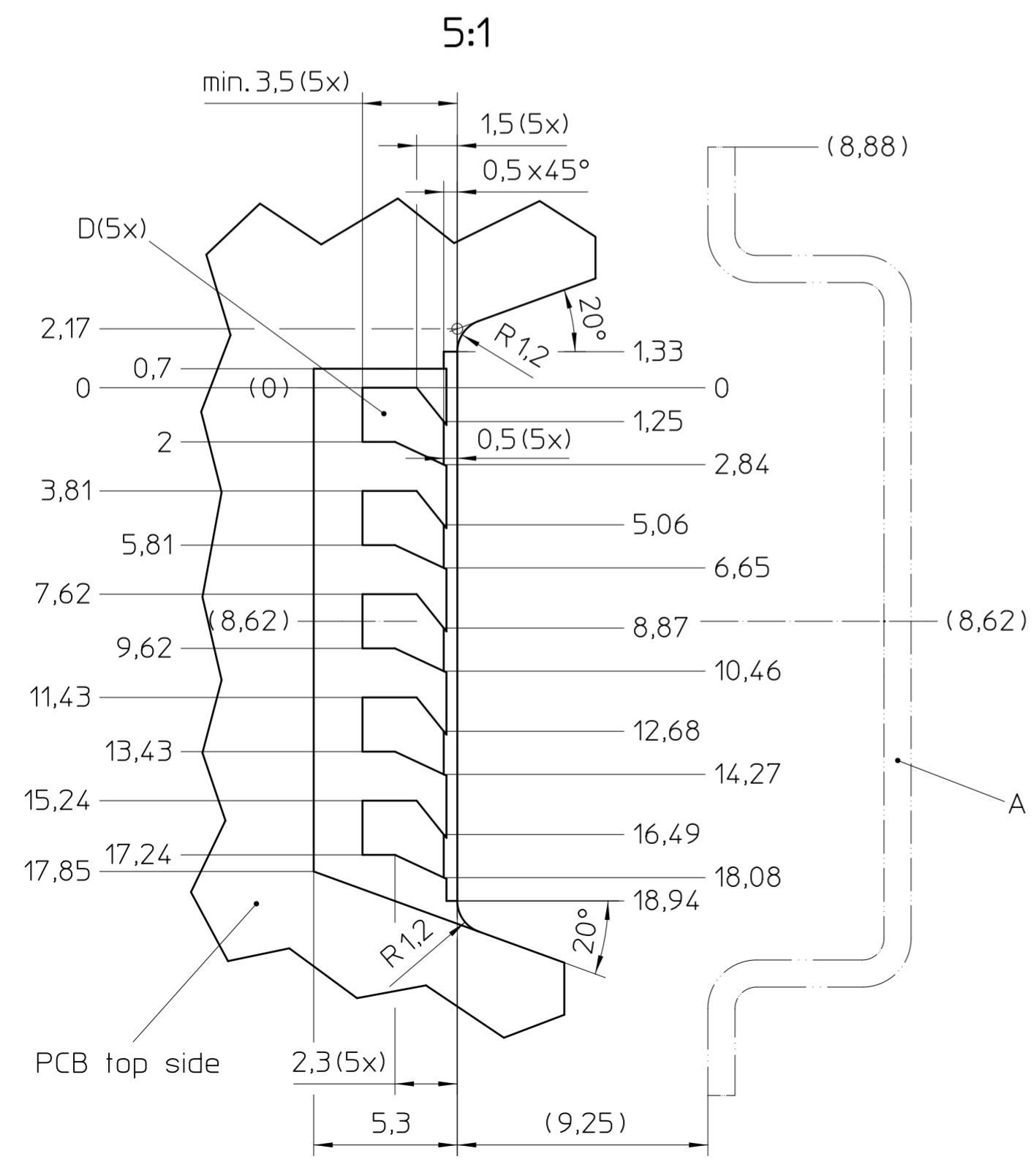


Weitergabe sowie Vervielfältigung dieses Dokuments, Verwertung und Mitteilung seines Inhalts sind verboten, soweit nicht ausdrücklich gestattet. Zuwiderhandlungen verpflichten zu Schadensersatz. Alle Rechte für den Fall der Patent-, Gebrauchsmuster- oder Designeintragung vorbehalten. Bauartbedingtes Spiel ist in den Toleranzangaben nicht berücksichtigt.

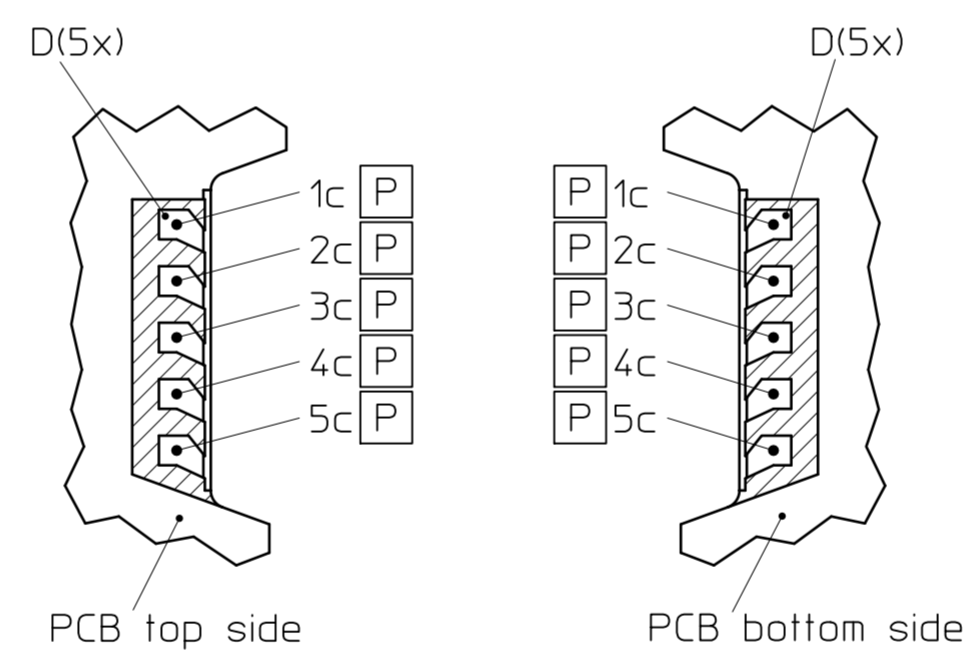
Transfer or duplication of this document as well as the utilisation or communication of its content are not permitted unless express consent is granted. Violations give rise to claims for damages. All rights reserved in case of patent, utility model or design patent registrations. Tolerance specifications do not include clearances inherent in the design.



recommended PCB



pad numbering



General tolerances PCB:
 dimensions ≤ 30: ±0,1/R±0,2/±1°
 dimensions > 30: ±0,15/R±0,2/±1°
 symmetry: 0,2

General Information:

- Simplified representation
- Document excluded from change process
- Linear dimensions [mm]
- Tolerances apply in a normal climate according to DIN EN ISO 291-23/50-2, PA plastic parts with about 2% (% by weight) moisture content.
- Web: www.phoenixcontact.com
- Restricted area, no components

Additional Information:

- A) Mounting rail like EN 6075: TH 35-7,5 or mounting rail TH 35-15x1,5 similar to EN 60715
- B) Disassembly notch to separate BUS modules with screwdriver.
- C) PCB t=1,6+/-0,2
- D) ME...TBUS... contact pad's, surface: Ni 2-10µm / Au (hardgold) 0,8-1,4µm

Pos.	QTY	Description	Material
1	1	HOUSING	PA
2	5	CONTACT	Cu alloy, Au plated

DIN A2
 document-no. / ri: 00894392 / 06
 article-no.: 2707437
 date: 24.10.2025
 document-type: TECDOC 2D_Productdrawing
 description: ME 22,5 TBUS 1,5/ 5-ST-3,81 GN
 scale: 2:1
 - Simplified representation
 - Document excluded from change process
 - Linear dimensions [mm]

page 1 of 1