

Końcówki kablowe rurowe z otworem inspekcyjnym typu KORo

CECHY I KORZYŚCI



końcówka oczkowa Cu w wersji standard z pokryciem galwanicznym cyną i otworem inspekcyjnym



opis przekroju przewodu i rozmiar zacisku na powierzchni płętwy

DANE MECHANICZNE

| | |
|----------|-----------------------|
| Materiał | Cu |
| Pokrycie | cynowane galwanicznie |

CERTYFIKATY I NORMY

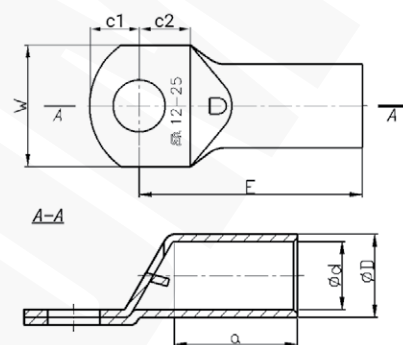
| | |
|---------------|--|
| Certyfikat UL | E475284 (zgodnie z tabelą karty katalogowej) |
| Wykonanie | standard |

UWAGA!

Żyły sektorowe (sm) muszą zostać przeformowane "na okrągło".

Do zaprasowywania końcówek na żyłach 5 klasy dla przekrojów od 10 mm² zalecamy zaprasowanie na „sześciokąt z kłami” matrycami typu KP22-FL.

Certyfikat UL - aktualne informacje na stronie www.ergom.com



| Typ | Indeks Ergom | Przekrój mm ² /sm | d | D | a | c1 | c2 | E | W | Otwór pod śrubę | Nr gniazda - 2 klasa | Nr gniazda - 5 klasa | Lz/s | Lz/w | W opakowaniu [szt.] | Waga [kg] | | |
|-----------------------|-------------------|---------------------------------|-----|-----|-----|------|------|------|------|-----------------------|----------------------------|----------------------------|------|------|---------------------------|--------------|------|------|
| KORo 1,5/3 (100 SZT.) | E11KM-01020199480 | 1,5 | 1,8 | 3,3 | 5,8 | 3,25 | 3,8 | 12,0 | 6,5 | M3 | √ | - | - | - | 1 | 100 | 0,08 | |
| KORo 1,5/4 (100 SZT.) | E11KM-01020199580 | | | | | 4,0 | 4,8 | 13,0 | | M4 | | | | | | | | 0,1 |
| KORo 1,5/5 (100 SZT.) | E11KM-01020199590 | | | | | 4,75 | 5,3 | 14,0 | | M5 | | | | | | | | 0,09 |
| KORo 1,5/6 (100 SZT.) | E11KM-01020199600 | | | | | 6,5 | 6,3 | 16,0 | | M6 | | | | | | | | 0,1 |
| KORo 2,5/3 (100 SZT.) | E11KM-01020199660 | 2,5 | 2,3 | 4,2 | 5,8 | 3,25 | 3,8 | 12,0 | 7,5 | M3 | √ | - | - | - | 1 | 100 | 0,13 | |
| KORo 2,5/4 (100 SZT.) | E11KM-01020199670 | | | | | 4,0 | 4,8 | 13,0 | | M4 | | | | | | | | 0,14 |
| KORo 2,5/5 (100 SZT.) | E11KM-01020199680 | | | | | 4,75 | 5,3 | 14,0 | | M5 | | | | | | | | 0,16 |
| KORo 2,5/6 (100 SZT.) | E11KM-01020199690 | | | | | 6,5 | 6,3 | 16,0 | | M6 | | | | | | | | 0,16 |
| KORo 2,5/8 (100 SZT.) | E11KM-01020199710 | | | | | 7,75 | 9,3 | 20,0 | 13,0 | M8 | | | | | | | 0,19 | |
| KORo 4/4 (100 SZT.) | E11KM-01020199760 | 4 | 3,0 | 5,0 | 7,8 | 4,75 | 5,3 | 18,0 | 9,0 | M4 | √ | - | - | - | 1 | 100 | 0,22 | |
| KORo 4/5 (100 SZT.) | E11KM-01020199770 | | | | | 5,8 | 6,3 | 19,0 | | M5 | | | | | | | | 0,26 |
| KORo 4/6 (100 SZT.) | E11KM-01020199780 | | | | | 6,5 | 6,3 | 19,0 | | M6 | | | | | | | | 0,28 |
| KORo 4/8 (100 SZT.) | E11KM-01020199800 | | | | | 8,5 | 9,3 | 22,0 | | M8 | | | | | | | | 0,28 |
| KORo 6/4 (100 SZT.) | E11KM-01020199870 | 6 | 4,0 | 6,0 | 8,7 | 5,0 | 5,3 | 18,0 | 10,0 | M4 | √ | 4 | - | 1 | 1 | 100 | 0,3 | |
| KORo 6/5 (100 SZT.) | E11KM-01020199880 | | | | | 6,0 | 5,8 | 19,0 | | M5 | | | | | | | | 0,31 |
| KORo 6/6 (100 SZT.) | E11KM-01020199890 | | | | | 7,0 | 6,3 | 19,0 | | M6 | | | | | | | | 0,35 |
| KORo 6/8 (100 SZT.) | E11KM-01020199910 | | | | | 8,5 | 9,3 | 22,0 | | M8 | | | | | | | | 0,37 |
| KORo 6/10 (100 SZT.) | E11KM-01020199930 | | | | | 11,0 | 11,8 | 25,0 | 16,0 | M10 | | | | | | | 0,4 | |
| KORo 6/12 (100 SZT.) | E11KM-01020199950 | | | | | 12,0 | 12,8 | 25,0 | 19,0 | M12 | | | | | | | | 0,4 |

| Typ | Indeks Ergom | Przekrój mm/sm [mm ²] | d | D | a | c1 | c2 | E | W | Otwór pod śrubę | UL | Nr gniazda - 2 klasa | Nr gniazda - 5 klasa | Lz/s | Lz/w | W opakowaniu [szt.] | Waga [kg] | | | | | | | | |
|-----------------------|-------------------|---|------|------|-----|------|------|------|-----|-----------------------|------|----------------------------|----------------------------|------|------|---------------------------|--------------|----|---|---|------|---|---|-----|------|
| KORo 10/5 (100 SZT.) | E11KM-01020200100 | 10 | 4,5 | 7,0 | 10 | 7,5 | 21,0 | 12 | M5 | √ | 7 | FL10 | 1 | 1 | 100 | 0,53 | | | | | | | | | |
| KORo 10/5 (10 SZT.) | E11KM-01020200102 | | | | | | | | | | | | | | 10 | 0,06 | | | | | | | | | |
| KORo 10/6 (100 SZT.) | E11KM-01020200200 | | | | | 8,0 | 21,5 | M6 | 100 | | | | | | 0,52 | | | | | | | | | | |
| KORo 10/6 (10 SZT.) | E11KM-01020200202 | | | | | | | | 10 | | | | | | 0,06 | | | | | | | | | | |
| KORo 10/8 (100 SZT.) | E11KM-01020200300 | | | | | 9,0 | 10,0 | 23,5 | 15 | | | | | | M8 | 100 | 0,6 | | | | | | | | |
| KORo 10/8 (10 SZT.) | E11KM-01020200302 | | | | | | | | | | | | | | | 10 | 0,06 | | | | | | | | |
| KORo 10/10 (100 SZT.) | E11KM-01020200400 | | | | | 11,0 | 12,0 | 25,5 | 17 | | | | | | M10 | 100 | 0,65 | | | | | | | | |
| KORo 10/10 (10 SZT.) | E11KM-01020200402 | | | | | | | | | | | | | | | 10 | 0,07 | | | | | | | | |
| KORo 10/12 (100 SZT.) | E11KM-01020200500 | | | | | 12,0 | 13,0 | 26,5 | 19 | | | | | | M12 | 100 | 0,64 | | | | | | | | |
| KORo 10/12 (10 SZT.) | E11KM-01020200502 | | | | | | | | | | | | | | | 10 | 0,07 | | | | | | | | |
| KORo 16/5 (100 SZT.) | E11KM-01020200600 | | | | | 16 | 5,5 | 8,5 | 13 | | | | | | 7,5 | 25,0 | 12 | M5 | √ | 8 | FL16 | 1 | 2 | 100 | 0,91 |
| KORo 16/5 (10 SZT.) | E11KM-01020200602 | | | | | | | | | | | | | | | | | | | | | | | 10 | 0,1 |
| KORo 16/6 (100 SZT.) | E11KM-01020200700 | 8,0 | 25,5 | M6 | 100 | | | | | 0,9 | | | | | | | | | | | | | | | |
| KORo 16/6 (10 SZT.) | E11KM-01020200702 | | | | 10 | | | | | 0,1 | | | | | | | | | | | | | | | |
| KORo 16/8 (100 SZT.) | E11KM-01020200800 | 9,0 | 10,0 | 27,5 | 15 | | | | | M8 | 100 | 0,97 | | | | | | | | | | | | | |
| KORo 16/8 (10 SZT.) | E11KM-01020200802 | | | | | | | | | | 10 | 0,1 | | | | | | | | | | | | | |
| KORo 16/10 (100 SZT.) | E11KM-01020200900 | 11,0 | 12,0 | 29,5 | 17 | | | | | M10 | 100 | 1 | | | | | | | | | | | | | |
| KORo 16/10 (10 SZT.) | E11KM-01020200902 | | | | | | | | | | 10 | 0,1 | | | | | | | | | | | | | |
| KORo 16/12 (100 SZT.) | E11KM-01020201000 | 12,0 | 13,0 | 30,5 | 19 | | | | | M12 | 100 | 1,1 | | | | | | | | | | | | | |
| KORo 16/12 (10 SZT.) | E11KM-01020201002 | | | | | | | | | | 10 | 0,12 | | | | | | | | | | | | | |
| KORo 25/5 (100 SZT.) | E11KM-01020201100 | 25 | 7,0 | 10,0 | 15 | | | | | 7,5 | 28,0 | 14 | M5 | √ | 10 | FL25 | 1 | 2 | | | | | | 100 | 1,18 |
| KORo 25/5 (10 SZT.) | E11KM-01020201102 | | | | | | | | | | | | | | | | | | | | | | | 10 | 0,12 |
| KORo 25/6 (100 SZT.) | E11KM-01020201200 | | | | | 8,0 | 28,5 | M6 | 100 | 1,22 | | | | | | | | | | | | | | | |
| KORo 25/6 (10 SZT.) | E11KM-01020201202 | | | | | | | | 10 | 0,13 | | | | | | | | | | | | | | | |
| KORo 25/8 (100 SZT.) | E11KM-01020201300 | | | | | 9,0 | 10,0 | 30,5 | 16 | M8 | 100 | 1,25 | | | | | | | | | | | | | |
| KORo 25/8 (10 SZT.) | E11KM-01020201302 | | | | | | | | | | 10 | 0,13 | | | | | | | | | | | | | |
| KORo 25/10 (100 SZT.) | E11KM-01020201400 | | | | | 11,0 | 12,0 | 32,5 | 18 | M10 | 100 | 1,3 | | | | | | | | | | | | | |
| KORo 25/10 (10 SZT.) | E11KM-01020201402 | | | | | | | | | | 10 | 0,14 | | | | | | | | | | | | | |
| KORo 25/12 (100 SZT.) | E11KM-01020201500 | | | | | 12,0 | 13,0 | 33,5 | 19 | M12 | 100 | 1,3 | | | | | | | | | | | | | |
| KORo 25/12 (10 SZT.) | E11KM-01020201502 | | | | | | | | | | 10 | 0,14 | | | | | | | | | | | | | |
| KORo 25/14 (100 SZT.) | E11KM-01020201600 | | | | | 14,0 | 15,0 | 35,5 | 21 | M14 | 100 | 1,45 | | | | | | | | | | | | | |
| KORo 25/14 (10 SZT.) | E11KM-01020201602 | | | | | | | | | | 10 | 0,15 | | | | | | | | | | | | | |
| KORo 35/6 (100 SZT.) | E11KM-01020201700 | 35 | 8,5 | 12,0 | 17 | 7,0 | 8,0 | 31,5 | M6 | √ | 12 | FL35 | 1 | 2 | 100 | 1,82 | | | | | | | | | |
| KORo 35/6 (10 SZT.) | E11KM-01020201702 | | | | | | | | | | | | | | 10 | 0,2 | | | | | | | | | |
| KORo 35/8 (100 SZT.) | E11KM-01020201800 | | | | | 9,0 | 10,0 | 33,5 | 18 | | | | | | M8 | 100 | 1,94 | | | | | | | | |
| KORo 35/8 (10 SZT.) | E11KM-01020201802 | | | | | | | | | | | | | | | 10 | 0,2 | | | | | | | | |
| KORo 35/10 (100 SZT.) | E11KM-01020201900 | | | | | 11,0 | 12,0 | 35,5 | M10 | | | | | | 100 | 2,1 | | | | | | | | | |
| KORo 35/10 (10 SZT.) | E11KM-01020201902 | | | | | | | | | | | | | | 10 | 0,22 | | | | | | | | | |
| KORo 35/12 (100 SZT.) | E11KM-01020202000 | | | | | 12,0 | 13,0 | 36,5 | 20 | | | | | | M12 | 100 | 2,05 | | | | | | | | |
| KORo 35/12 (10 SZT.) | E11KM-01020202002 | | | | | | | | | | | | | | | 10 | 0,22 | | | | | | | | |
| KORo 35/14 (100 SZT.) | E11KM-01020202100 | | | | | 14,0 | 15,0 | 38,5 | 21 | | | | | | M14 | 100 | 2,2 | | | | | | | | |
| KORo 35/14 (10 SZT.) | E11KM-01020202102 | | | | | | | | | | | | | | | 10 | 0,23 | | | | | | | | |
| KORo 35/16 (100 SZT.) | E11KM-01020202200 | | | | | 16,0 | 16,0 | 39,5 | 26 | | | | | | M16 | 100 | 2,3 | | | | | | | | |
| KORo 35/16 (10 SZT.) | E11KM-01020202202 | | | | | | | | | | | | | | | 10 | 0,24 | | | | | | | | |
| KORo 50/6 (100 SZT.) | E11KM-01020202300 | 50 | 10,0 | 14,0 | 19 | 7,0 | 8,0 | 34,5 | M6 | √ | 14 | FL50 | 1 | 2 | 100 | 2,58 | | | | | | | | | |
| KORo 50/6 (10 SZT.) | E11KM-01020202302 | | | | | | | | | | | | | | 10 | 0,26 | | | | | | | | | |
| KORo 50/8 (100 SZT.) | E11KM-01020202400 | | | | | 9,0 | 10,0 | 36,5 | 20 | | | | | | M8 | 100 | 2,8 | | | | | | | | |
| KORo 50/8 (10 SZT.) | E11KM-01020202402 | | | | | | | | | | | | | | | 10 | 0,29 | | | | | | | | |
| KORo 50/10 (100 SZT.) | E11KM-01020202500 | | | | | 11,0 | 12,0 | 38,5 | M10 | | | | | | 100 | 3,05 | | | | | | | | | |
| KORo 50/10 (10 SZT.) | E11KM-01020202502 | | | | | | | | | | | | | | 10 | 0,31 | | | | | | | | | |
| KORo 50/12 (100 SZT.) | E11KM-01020202600 | | | | | 12,0 | 13,0 | 39,5 | 23 | | | | | | M12 | 100 | 2,95 | | | | | | | | |
| KORo 50/12 (10 SZT.) | E11KM-01020202602 | | | | | | | | | | | | | | | 10 | 0,31 | | | | | | | | |
| KORo 50/14 (100 SZT.) | E11KM-01020202700 | | | | | 14,0 | 15,0 | 41,5 | M14 | | | | | | 100 | 3,2 | | | | | | | | | |
| KORo 50/14 (10 SZT.) | E11KM-01020202702 | | | | | | | | | | | | | | 10 | 0,33 | | | | | | | | | |
| KORo 50/16 (100 SZT.) | E11KM-01020202800 | | | | | 16,0 | 16,0 | 42,5 | 28 | | | | | | M16 | 100 | 3,3 | | | | | | | | |
| KORo 50/16 (10 SZT.) | E11KM-01020202802 | | | | | | | | | | | | | | | 10 | 0,34 | | | | | | | | |
| KORo 50/20 (100 SZT.) | E11KM-01020202900 | 20,0 | 20,6 | 47,0 | 30 | M20 | 100 | 3,6 | | | | | | | | | | | | | | | | | |
| KORo 50/20 (10 SZT.) | E11KM-01020202902 | | | | | | 10 | 0,37 | | | | | | | | | | | | | | | | | |

| Typ | Indeks Ergom | Przekrój mm/sm [mm ²] | d | D | a | c1 | c2 | E | W | Otwór pod śrubę | UL | Nr gniazda - 2 klasa | Nr gniazda - 5 klasa | Lz/s | Lz/w | W opakowaniu [szt.] | Waga [kg] | | | | | | | | | | | | | | | | | |
|-----------------------|-------------------|---|------|------|------|------|----|---|---|-----------------------|----|----------------------------|----------------------------|-------|------|---------------------------|--------------|-----|-----|--|--|--|----|---|----|------|-------|---|------|------|------|------|------|------|
| KORo 70/6 (100 SZT.) | E11KM-01020203000 | 70 | 12,0 | 16,5 | 21 | | | | | M6 | √ | 16 | FL70 | 1 | 2 | 100 | 4,25 | | | | | | | | | | | | | | | | | |
| KORo 70/6 (10 SZT.) | E11KM-01020203002 | | | | | | | | | 10 | | | | | | 0,43 | | | | | | | | | | | | | | | | | | |
| KORo 70/8 (100 SZT.) | E11KM-01020203100 | | | | | | | | | 9,0 | | | | | | 10,0 | 40,5 | 100 | 4,2 | | | | | | | | | | | | | | | |
| KORo 70/8 (10 SZT.) | E11KM-01020203102 | | | | | | | | | 10 | | | | | | 0,43 | | | | | | | | | | | | | | | | | | |
| KORo 70/10 (100 SZT.) | E11KM-01020203200 | | | | | | | | | 23 | | | | | | 100 | 4,6 | | | | | | | | | | | | | | | | | |
| KORo 70/10 (10 SZT.) | E11KM-01020203202 | | | | | | | | | | | | | | | 10 | 0,5 | | | | | | | | | | | | | | | | | |
| KORo 70/12 (100 SZT.) | E11KM-01020203300 | | | | | | | | | 12,0 | | | | | | 13,0 | 43,5 | 100 | 4,4 | | | | | | | | | | | | | | | |
| KORo 70/12 (10 SZT.) | E11KM-01020203302 | | | | | | | | | M12 | | | | | | 10 | 0,5 | | | | | | | | | | | | | | | | | |
| KORo 70/14 (100 SZT.) | E11KM-01020203400 | | | | | | | | | 28 | | | | | | 100 | 4,9 | | | | | | | | | | | | | | | | | |
| KORo 70/14 (10 SZT.) | E11KM-01020203402 | | | | | | | | | | | | | | | 10 | 0,5 | | | | | | | | | | | | | | | | | |
| KORo 70/16 (100 SZT.) | E11KM-01020203500 | | | | | | | | | 16,0 | | | | | | 16,0 | 46,5 | 100 | 4,7 | | | | | | | | | | | | | | | |
| KORo 70/16 (10 SZT.) | E11KM-01020203502 | | | | | | | | | M16 | | | | | | 10 | 0,5 | | | | | | | | | | | | | | | | | |
| KORo 70/20 (100 SZT.) | E11KM-01020203600 | | | | | | | | | 31 | | | | | | 100 | 5 | | | | | | | | | | | | | | | | | |
| KORo 70/20 (10 SZT.) | E11KM-01020203602 | | | | | | | | | | | | | | | 10 | 0,5 | | | | | | | | | | | | | | | | | |
| KORo 95/8 (50 SZT.) | E11KM-01020203700 | | | | | | | | | 95 | | | | | | 13,5 | 18,0 | 24 | | | | | M8 | √ | 17 | FL95 | 1 | 2 | 50 | 2,8 | | | | |
| KORo 95/8 (10 SZT.) | E11KM-01020203702 | | | | | | | | | | | | | | | | | | | | | | 10 | | | | | | 0,6 | | | | | |
| KORo 95/10 (50 SZT.) | E11KM-01020203800 | 12,0 | 13,0 | 47,0 | 50 | 2,72 | | | | | | | | | | | | | | | | | | | | | | | | | | | | |
| KORo 95/10 (10 SZT.) | E11KM-01020203802 | 26 | 10 | 0,6 | | | | | | | | | | | | | | | | | | | | | | | | | | | | | | |
| KORo 95/12 (50 SZT.) | E11KM-01020203900 | | M12 | 50 | 2,65 | | | | | | | | | | | | | | | | | | | | | | | | | | | | | |
| KORo 95/12 (10 SZT.) | E11KM-01020203902 | 10 | 0,6 | | | | | | | | | | | | | | | | | | | | | | | | | | | | | | | |
| KORo 95/14 (50 SZT.) | E11KM-01020204000 | 29 | 50 | 2,85 | | | | | | | | | | | | | | | | | | | | | | | | | | | | | | |
| KORo 95/14 (10 SZT.) | E11KM-01020204002 | | M14 | 10 | 0,6 | | | | | | | | | | | | | | | | | | | | | | | | | | | | | |
| KORo 95/16 (50 SZT.) | E11KM-01020204100 | 16,0 | 16,0 | 50,0 | 50 | 2,85 | | | | | | | | | | | | | | | | | | | | | | | | | | | | |
| KORo 95/16 (10 SZT.) | E11KM-01020204102 | M16 | 10 | 0,6 | | | | | | | | | | | | | | | | | | | | | | | | | | | | | | |
| KORo 95/20 (50 SZT.) | E11KM-01020204200 | 35 | 50 | 3,1 | | | | | | | | | | | | | | | | | | | | | | | | | | | | | | |
| KORo 95/20 (10 SZT.) | E11KM-01020204202 | | M20 | 10 | 0,7 | | | | | | | | | | | | | | | | | | | | | | | | | | | | | |
| KORo 120/8 (50 SZT.) | E11KM-01020204300 | 120 | 15,0 | 19,5 | 26 | | | | | | | √ | 19 | FL120 | 1 | | | | | | | | 2 | | | | | | 50 | 3,3 | | | | |
| KORo 120/8 (10 SZT.) | E11KM-01020204302 | | | | | | | | | | | | | | | | | | | | | | | | | | | | 10 | 0,7 | | | | |
| KORo 120/10 (50 SZT.) | E11KM-01020204400 | | | | | | | | | | | | | | | | | | | | | | | | | | | | 12,0 | 13,0 | 50,0 | 50 | 3,15 | |
| KORo 120/10 (10 SZT.) | E11KM-01020204402 | | | | | | | | | | | | | | | | | | | | | | | | | | | | 29 | 10 | 0,7 | | | |
| KORo 120/12 (50 SZT.) | E11KM-01020204500 | | | | | | | | | M12 | | | | | | 50 | 3,17 | | | | | | | | | | | | | | | | | |
| KORo 120/12 (10 SZT.) | E11KM-01020204502 | | | | | | | | | 10 | | | | | | 0,7 | | | | | | | | | | | | | | | | | | |
| KORo 120/14 (50 SZT.) | E11KM-01020204600 | | | | | | | | | 35 | | | | | | 50 | 3,4 | | | | | | | | | | | | | | | | | |
| KORo 120/14 (10 SZT.) | E11KM-01020204602 | | | | | | | | | | | | | | | M14 | 10 | 0,7 | | | | | | | | | | | | | | | | |
| KORo 120/16 (50 SZT.) | E11KM-01020204700 | | | | | | | | | 16,0 | | | | | | 16,0 | 53,0 | 50 | 3,4 | | | | | | | | | | | | | | | |
| KORo 120/16 (10 SZT.) | E11KM-01020204702 | | | | | | | | | M16 | | | | | | 10 | 0,7 | | | | | | | | | | | | | | | | | |
| KORo 120/20 (50 SZT.) | E11KM-01020204800 | | | | | | | | | 35 | | | | | | 50 | 3,5 | | | | | | | | | | | | | | | | | |
| KORo 120/20 (10 SZT.) | E11KM-01020204802 | | | | | | | | | | | | | | | M20 | 10 | 0,8 | | | | | | | | | | | | | | | | |
| KORo 150/8 (50 SZT.) | E11KM-01020204900 | | | | | | | | | 150 | | | | | | 16,5 | 21,0 | 29 | | | | | | | √ | 20 | FL150 | 2 | 3 | 50 | 3,78 | | | |
| KORo 150/8 (10 SZT.) | E11KM-01020204902 | | | | | | | | | | | | | | | | | | | | | | | | | | | | | 10 | 0,8 | | | |
| KORo 150/10 (50 SZT.) | E11KM-01020205000 | | | | | | | | | | | | | | | | | | | | | | | | | | | | | 12,0 | 13,0 | 54,0 | 50 | 3,73 |
| KORo 150/10 (10 SZT.) | E11KM-01020205002 | | | | | | | | | | | | | | | | | | | | | | | | | | | | | 31 | 10 | 0,8 | | |
| KORo 150/12 (50 SZT.) | E11KM-01020205100 | M12 | 50 | 3,55 | | | | | | | | | | | | | | | | | | | | | | | | | | | | | | |
| KORo 150/12 (10 SZT.) | E11KM-01020205102 | 10 | 0,8 | | | | | | | | | | | | | | | | | | | | | | | | | | | | | | | |
| KORo 150/14 (50 SZT.) | E11KM-01020205200 | 35 | 50 | 3,9 | | | | | | | | | | | | | | | | | | | | | | | | | | | | | | |
| KORo 150/14 (10 SZT.) | E11KM-01020205202 | | M14 | 10 | 0,8 | | | | | | | | | | | | | | | | | | | | | | | | | | | | | |
| KORo 150/16 (50 SZT.) | E11KM-01020205300 | 16,0 | 16,0 | 57,0 | 50 | 3,88 | | | | | | | | | | | | | | | | | | | | | | | | | | | | |
| KORo 150/16 (10 SZT.) | E11KM-01020205302 | M16 | 10 | 0,8 | | | | | | | | | | | | | | | | | | | | | | | | | | | | | | |
| KORo 150/20 (50 SZT.) | E11KM-01020205400 | 35 | 50 | 4,2 | | | | | | | | | | | | | | | | | | | | | | | | | | | | | | |
| KORo 150/20 (10 SZT.) | E11KM-01020205402 | | M20 | 10 | 0,9 | | | | | | | | | | | | | | | | | | | | | | | | | | | | | |
| KORo 185/10 (50 SZT.) | E11KM-01020205500 | 185 | 19,0 | 24,0 | 30 | | | | | | | √ | 23 | FL185 | 2 | | | | | | | | 3 | | | | | | | 50 | 4,92 | | | |
| KORo 185/10 (10 SZT.) | E11KM-01020205502 | | | | | | | | | | | | | | | | | | | | | | | | | | | | | 10 | 1 | | | |
| KORo 185/12 (50 SZT.) | E11KM-01020205600 | | | | | | | | | | | | | | | | | | | | | | | | | | | | | 12,0 | 13,0 | 56,5 | 50 | 4,82 |
| KORo 185/12 (10 SZT.) | E11KM-01020205602 | | | | | | | | | | | | | | | | | | | | | | | | | | | | | 35 | 10 | 1 | | |
| KORo 185/14 (50 SZT.) | E11KM-01020205700 | | | | | | | | | M14 | | | | | | 50 | 5,35 | | | | | | | | | | | | | | | | | |
| KORo 185/14 (10 SZT.) | E11KM-01020205702 | | | | | | | | | 16,0 | | | | | | 16,0 | 59,5 | 10 | 1,1 | | | | | | | | | | | | | | | |
| KORo 185/16 (50 SZT.) | E11KM-01020205800 | | | | | | | | | 38 | | | | | | 50 | 5,11 | | | | | | | | | | | | | | | | | |
| KORo 185/16 (10 SZT.) | E11KM-01020205802 | | | | | | | | | | | | | | | M16 | 10 | 1,1 | | | | | | | | | | | | | | | | |
| KORo 185/20 (50 SZT.) | E11KM-01020205900 | | | | | | | | | 38 | | | | | | 50 | 5,5 | | | | | | | | | | | | | | | | | |
| KORo 185/20 (10 SZT.) | E11KM-01020205902 | | | | | | | | | | | | | | | M20 | 10 | 1,2 | | | | | | | | | | | | | | | | |

| Typ | Indeks Ergom | Przekrój mm/sm [mm ²] | d | D | a | c1 | c2 | E | W | Otwór pod śrubę | UL | Nr gniazda - 2 klasa | Nr gniazda - 5 klasa | Lz/s | Lz/w | W opakowaniu [szt.] | Waga [kg] | | | | | | | | | | | | | |
|-----------------------|-------------------|---|------|------|----|------|------|-------|----|-----------------------|-----|----------------------------|----------------------------|------|------|---------------------------|--------------|----|------|------|------|----|-----|---|----|-------|---|---|-----|-----|
| KORo 240/10 (50 SZT.) | E11KM-01020206000 | 240 | 21,0 | 26,0 | 38 | 20,0 | 20,6 | 73,5 | 38 | M10 | √ | 25 | FL240 | 2 | 4 | 50 | 7,3 | | | | | | | | | | | | | |
| KORo 240/10 (10 SZT.) | E11KM-01020206002 | | | | | | | | | 10 | | | | | | 1,5 | | | | | | | | | | | | | | |
| KORo 240/12 (50 SZT.) | E11KM-01020206100 | | | | | | | | | M12 | | | | | | 50 | 7,3 | | | | | | | | | | | | | |
| KORo 240/12 (10 SZT.) | E11KM-01020206102 | | | | | | | | | 10 | | | | | | 1,5 | | | | | | | | | | | | | | |
| KORo 240/14 (50 SZT.) | E11KM-01020206200 | | | | | | | | | M14 | | | | | | 50 | 7,2 | | | | | | | | | | | | | |
| KORo 240/14 (10 SZT.) | E11KM-01020206202 | | | | | | | | | 10 | | | | | | 1,5 | | | | | | | | | | | | | | |
| KORo 240/16 (50 SZT.) | E11KM-01020206300 | | | | | | | | | M16 | | | | | | 50 | 7,1 | | | | | | | | | | | | | |
| KORo 240/16 (10 SZT.) | E11KM-01020206302 | | | | | | | | | 10 | | | | | | 1,5 | | | | | | | | | | | | | | |
| KORo 240/20 (50 SZT.) | E11KM-01020206400 | | | | | | | | | M20 | | | | | | 50 | 7 | | | | | | | | | | | | | |
| KORo 240/20 (10 SZT.) | E11KM-01020206402 | | | | | | | | | 10 | | | | | | 1,5 | | | | | | | | | | | | | | |
| KORo 300/10 (25 SZT.) | E11KM-01020206500 | | | | | | | | | 300 | | | | | | 24,0 | 30,0 | 45 | 20,0 | 20,6 | 82,5 | 43 | M10 | - | 28 | FL300 | 2 | 5 | 25 | 5,7 |
| KORo 300/10 (10 SZT.) | E11KM-01020206502 | | | | | | | | | | | | | | | | | | | | | | 10 | | | | | | 2,3 | |
| KORo 300/12 (25 SZT.) | E11KM-01020206600 | M12 | 25 | 5,5 | | | | | | | | | | | | | | | | | | | | | | | | | | |
| KORo 300/12 (10 SZT.) | E11KM-01020206602 | 10 | 2,3 | | | | | | | | | | | | | | | | | | | | | | | | | | | |
| KORo 300/14 (25 SZT.) | E11KM-01020206700 | M14 | 25 | 5,5 | | | | | | | | | | | | | | | | | | | | | | | | | | |
| KORo 300/14 (10 SZT.) | E11KM-01020206702 | 10 | 2,3 | | | | | | | | | | | | | | | | | | | | | | | | | | | |
| KORo 300/16 (25 SZT.) | E11KM-01020206800 | M16 | 25 | 5,5 | | | | | | | | | | | | | | | | | | | | | | | | | | |
| KORo 300/16 (10 SZT.) | E11KM-01020206802 | 10 | 2,2 | | | | | | | | | | | | | | | | | | | | | | | | | | | |
| KORo 300/20 (25 SZT.) | E11KM-01020206900 | M20 | 25 | 5,2 | | | | | | | | | | | | | | | | | | | | | | | | | | |
| KORo 300/20 (10 SZT.) | E11KM-01020206902 | 10 | 2,2 | | | | | | | | | | | | | | | | | | | | | | | | | | | |
| KORo 400/12 | E11KM-01020207002 | 400 | 27,5 | 33,5 | 50 | 20,0 | 20,6 | 90 | 49 | | M12 | - | 32 | - | 2 | | | | | | | | - | | | | | | 1 | 0,3 |
| KORo 400/14 | E11KM-01020207102 | | | | | | | | | | M14 | | | | | | | | | | | | | | | | | | | |
| KORo 400/16 | E11KM-01020207202 | | | | | | | | | M16 | | | | | | | | | | | | | | | | | | | | |
| KORo 400/20 | E11KM-01020207302 | | | | | | | | | M20 | | | | | | | | | | | | | | | | | | | | |
| KORo 500/12 | E11KM-01020207402 | 500 | 31,0 | 38,0 | 70 | 20,0 | 20,6 | 112,5 | 55 | M12 | - | 36 | - | 3 | - | 1 | 0,5 | | | | | | | | | | | | | |
| KORo 500/16 | E11KM-01020207502 | | | | | | | | | M16 | | | | | | | | 1 | 0,5 | | | | | | | | | | | |
| KORo 500/20 | E11KM-01020207602 | | | | | | | | | M20 | | | | | | | | | | | | | | | | | | | | |
| KORo 625/12 | E11KM-01020207702 | 625 | 34,0 | 40,0 | 70 | 20,0 | 20,6 | 114,0 | 60 | M12 | - | 42 | - | 3 | - | 1 | 0,5 | | | | | | | | | | | | | |
| KORo 625/16 | E11KM-01020207802 | | | | | | | | | M16 | | | | | | | | 1 | 0,5 | | | | | | | | | | | |
| KORo 625/20 | E11KM-01020207902 | | | | | | | | | M20 | | | | | | | | | | | | | | | | | | | | |

Lz/s - Liczba zacięnięć - szerokie, Lz/w - Liczba zacięnięć - wąskie