

Końcówki kablowe kątowe rurowe typu K45R

CECHY I KORZYŚCI

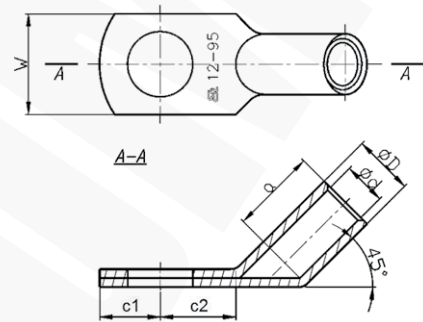
- końcówka oczkowa Cu w wersji standard z pokryciem galwanicznym cyną i podejściem do zacisku pod kątem 45 stopni
- opis przekroju przewodu i rozmiar zacisku na powierzchni płętwy
- do napięć poniżej 1 kV zgodnie z PN-EN 61238-1-1:2020-06 do zakresu napięć 1-36 kV zgodnie z PN-EN 61238-1-3:2020-01
- uzyskały pozytywny wynik badań na zgodność z normą dla okrągłych żył Cu 2 klasy

DANE MECHANICZNE

| | |
|-----------------|-----------------------|
| Materiał | Cu |
| Pokrycie | cynowane galwanicznie |

CERTYFIKATY I NORMY

| | |
|----------------------|---|
| Normy | PN-EN IEC 61238-1-1:2020-06 PN-EN IEC 61238-1-3:2020-01 - wytrzymałość mechaniczna klasa 1 - wytrzymałość na zwarcia klasa A dla końcówek o przekroju 10 - 240 mm ² |
| Certyfikat UL | E475284 (zgodnie z tabelą karty katalogowej) |
| Wykonanie | standard |



UWAGA!

Żyły sektorowe (sm) muszą zostać przeformowane "na okrągło".

Na specjalne zamówienie możliwość wykonania wygięcia pod kątem 30° typ K30R lub 60° typ K60R bądź pod dowolnym kątem.

Do zaprasowywania końcówek na żyłach 5 klasy dla przekrojów od 10 mm² zalecamy zaprasowanie na „sześciokąt z kłami” matrycami typu KP22-FL.

Certyfikat UL - aktualne informacje na stronie www.ergom.com



| Typ | Indeks Ergom | Przekrój rm/ sm [mm ²] | d | D | a | c1 | c2 | W | Otwór pod śrubę | UL | Nr gniazda - 2 klasa | Nr gniazda - 5 klasa | Lz/s | Lz/w | W opakowaniu [szt.] | Waga [kg] | | |
|-----------------------|-------------------|---------------------------------------|-----|-----|----|------|------|------|--------------------|----|-------------------------|-------------------------|------|------|------------------------|--------------|-----|------|
| K45R 6/5 (100 SZT.) | E11KM-01050090250 | 6 | 4,0 | 6,0 | 10 | 7,0 | 10,0 | 9,0 | M5 | - | 4 | - | 1 | 1 | 100 | 0,29 | | |
| K45R 6/6 (100 SZT.) | E11KM-01050090300 | | | | | 7,5 | | | M6 | | | | | | | 0,31 | | |
| K45R 6/8 (100 SZT.) | E11KM-01050090400 | | | | | 9,0 | | | M8 | | | | | | | 0,32 | | |
| K45R 10/5 (100 SZT.) | E11KM-01050100100 | 10 | 4,5 | 7,0 | 10 | 7,5 | 10,0 | 12,0 | M5 | - | 7 | FL10 | 1 | 1 | 100 | 0,66 | | |
| K45R 10/5 (10 SZT.) | E11KM-01050100102 | | | | | | | | 10 | | | | | | 0,07 | | | |
| K45R 10/6 (100 SZT.) | E11KM-01050100200 | | | | | M6 | 100 | 0,66 | | | | | | | | | | |
| K45R 10/6 (10 SZT.) | E11KM-01050100202 | | | | | 10 | 0,07 | | | | | | | | | | | |
| K45R 10/8 (100 SZT.) | E11KM-01050100300 | | | | | 9,0 | 13,0 | 15,0 | M8 | | | | | | 100 | 0,72 | | |
| K45R 10/8 (10 SZT.) | E11KM-01050100302 | | | | | 10 | 0,08 | | | | | | | | | | | |
| K45R 10/10 (100 SZT.) | E11KM-01050100400 | | | | | 11,0 | 17,0 | M10 | 100 | | | | | | 0,76 | | | |
| K45R 10/10 (10 SZT.) | E11KM-01050100402 | | | | | | | | 10 | | | | | | 0,08 | | | |
| K45R 10/12 (100 SZT.) | E11KM-01050100500 | | | | | | | | 12,0 | | | | | | 19,0 | M12 | 100 | 0,76 |
| K45R 10/12 (10 SZT.) | E11KM-01050100502 | | | | | | | | | | | | | | | | 10 | 0,08 |

| Typ | Indeks Ergom | Przekrój rm/ sm [mm ²] | d | D | a | c1 | c2 | W | Otwór pod śrubę | UL | Nr gniazda - 2 klasa | Nr gniazda - 5 klasa | Lz/s | Lz/w | W opakowaniu [szt.] | Waga [kg] | | | | | | | | | |
|-----------------------|-------------------|---------------------------------------|------|------|-----|------|------|------|--------------------|------|-------------------------|-------------------------|------|------|------------------------|--------------|------|------|------|----|------|---|-----|------|------|
| K45R 16/5 (100 SZT.) | E11KM-01050100600 | 16 | 5,5 | 8,5 | 13 | 7,0 | 10,0 | 12,0 | M5 | √ | 8 | FL16 | 1 | 2 | 100 | 1,1 | | | | | | | | | |
| K45R 16/5 (10 SZT.) | E11KM-01050100602 | | | | | | | | | | | | | | | | | | | 10 | 0,11 | | | | |
| K45R 16/6 (100 SZT.) | E11KM-01050100700 | | | | | | | | 7,5 | | | | | | | | M6 | | | | | | 100 | 1,1 | |
| K45R 16/6 (10 SZT.) | E11KM-01050100702 | | | | | | | | | | | | | | | | | | | | | | | 10 | 0,11 |
| K45R 16/8 (100 SZT.) | E11KM-01050100800 | | | | | | | | | | | | | | 9,0 | 13,0 | 15,0 | M8 | | | | | | 100 | 1,17 |
| K45R 16/8 (10 SZT.) | E11KM-01050100802 | | | | | | | | | | | | | | | | | | | | | | | 10 | 0,12 |
| K45R 16/10 (100 SZT.) | E11KM-01050100900 | | | | | | | | | | | | | | 11,0 | | 17,0 | M10 | | | | | | 100 | 1,24 |
| K45R 16/10 (10 SZT.) | E11KM-01050100902 | | | | | | | | | | | | | | | | 15,0 | | | | | | | 10 | 0,13 |
| K45R 16/12 (100 SZT.) | E11KM-01050101000 | | | | | | | | | | | | | | 12,0 | | 19,0 | M12 | | | | | | 100 | 1,21 |
| K45R 16/12 (10 SZT.) | E11KM-01050101002 | | | | | | | | | | | | | | | | | | | | | | | 10 | 0,13 |
| K45R 25/5 (100 SZT.) | E11KM-01050101100 | | | | | 25 | 7,0 | 10,0 | 15 | | | | | | 7,0 | 10,0 | 14,0 | M5 | √ | 10 | FL25 | 1 | 2 | 100 | 1,4 |
| K45R 25/5 (10 SZT.) | E11KM-01050101102 | | | | | | | | | | | | | | | | | | | | | | | | |
| K45R 25/6 (100 SZT.) | E11KM-01050101200 | | | | 7,5 | | | | | | | M6 | | | | | | 100 | | | | | | 1,45 | |
| K45R 25/6 (10 SZT.) | E11KM-01050101202 | | | | | | | | | | | | | | | | | | | | | | | 10 | 0,15 |
| K45R 25/8 (100 SZT.) | E11KM-01050101300 | | | | | | | | | 9,0 | 13,0 | 16,0 | M8 | | | | | | | | | | | 100 | 1,5 |
| K45R 25/8 (10 SZT.) | E11KM-01050101302 | | | | | | | | | | | | | | | | | | | | | | | 10 | 0,15 |
| K45R 25/10 (100 SZT.) | E11KM-01050101400 | | | | | | | | | 11,0 | | 18,0 | M10 | | | | | | | | | | | 100 | 1,6 |
| K45R 25/10 (10 SZT.) | E11KM-01050101402 | | | | | | | | | | | 15,0 | | | | | | | | | | | | 10 | 0,16 |
| K45R 25/12 (100 SZT.) | E11KM-01050101500 | | | | | | | | | 12,0 | | 19,0 | M12 | | | | | | | | | | | 100 | 1,55 |
| K45R 25/12 (10 SZT.) | E11KM-01050101502 | | | | | | | | | | | | | | | | | | | | | | | 10 | 0,16 |
| K45R 25/14 (100 SZT.) | E11KM-01050101600 | | | | | | | | | 14,0 | 18,0 | 21,0 | M14 | | | | | | | | | | | 100 | 1,62 |
| K45R 25/14 (10 SZT.) | E11KM-01050101602 | | | | | | | | | | | | | | | | | | | | | | | 10 | 0,17 |
| K45R 35/6 (100 SZT.) | E11KM-01050101700 | 35 | 8,5 | 12,0 | 17 | 7,5 | 10,0 | | M6 | √ | 12 | FL35 | 1 | 2 | 100 | 2,2 | | | | | | | | | |
| K45R 35/6 (10 SZT.) | E11KM-01050101702 | | | | | | | | | | | | | | | | | 10 | 0,22 | | | | | | |
| K45R 35/8 (100 SZT.) | E11KM-01050101800 | | | | | | | | | | | | | | 9,0 | 13,0 | 18,0 | M8 | | | | | | 100 | 2,4 |
| K45R 35/8 (10 SZT.) | E11KM-01050101802 | | | | | | | | | | | | | | | | | | | | | | | 10 | 0,24 |
| K45R 35/10 (100 SZT.) | E11KM-01050101900 | | | | | | | | | | | | | | 11,0 | | | M10 | | | | | | 100 | 2,52 |
| K45R 35/10 (10 SZT.) | E11KM-01050101902 | | | | | | | | | | | | | | | | 15,0 | | | | | | | 10 | 0,26 |
| K45R 35/12 (100 SZT.) | E11KM-01050102000 | | | | | | | | | | | | | | 12,0 | | 20,0 | M12 | | | | | | 100 | 2,38 |
| K45R 35/12 (10 SZT.) | E11KM-01050102002 | | | | | | | | | | | | | | | | | | | | | | | 10 | 0,24 |
| K45R 35/14 (100 SZT.) | E11KM-01050102100 | | | | | | | | | | | | | | 14,0 | | 21,0 | M14 | | | | | | 100 | 2,4 |
| K45R 35/14 (10 SZT.) | E11KM-01050102102 | | | | | | | | | | | | | | | | 18,0 | | | | | | | 10 | 0,24 |
| K45R 35/16 (100 SZT.) | E11KM-01050102200 | | | | | | | | | | | | | | 16,0 | | 26,0 | M16 | | | | | | 100 | 2,6 |
| K45R 35/16 (10 SZT.) | E11KM-01050102202 | | | | | | | | | | | | | | | | | | | | | | | 10 | 0,26 |
| K45R 50/6 (100 SZT.) | E11KM-01050102300 | 50 | 10,0 | 14,0 | 19 | 7,5 | 10,0 | | M6 | √ | 14 | FL50 | 1 | 2 | 100 | 3,2 | | | | | | | | | |
| K45R 50/6 (10 SZT.) | E11KM-01050102302 | | | | | | | | | | | | | | | | | 10 | 0,32 | | | | | | |
| K45R 50/8 (100 SZT.) | E11KM-01050102400 | | | | | | | | | | | | | | 9,0 | 13,0 | 20,0 | M8 | | | | | | 100 | 3,4 |
| K45R 50/8 (10 SZT.) | E11KM-01050102402 | | | | | | | | | | | | | | | | | | | | | | | 10 | 0,34 |
| K45R 50/10 (100 SZT.) | E11KM-01050102500 | | | | | | | | | | | | | | 11,0 | | | M10 | | | | | | 100 | 3,56 |
| K45R 50/10 (10 SZT.) | E11KM-01050102502 | | | | | | | | | | | | | | | | 15,0 | | | | | | | 10 | 0,36 |
| K45R 50/12 (100 SZT.) | E11KM-01050102600 | | | | | | | | | | | | | | 12,0 | | | M12 | | | | | | 100 | 3,44 |
| K45R 50/12 (10 SZT.) | E11KM-01050102602 | | | | | | | | | | | | | | | | 23,0 | | | | | | | 10 | 0,35 |
| K45R 50/14 (100 SZT.) | E11KM-01050102700 | | | | | | | | | | | | | | 14,0 | | | M14 | | | | | | 100 | 3,6 |
| K45R 50/14 (10 SZT.) | E11KM-01050102702 | | | | | | | | | | | | | | | | 18,0 | | | | | | | 10 | 0,36 |
| K45R 50/16 (100 SZT.) | E11KM-01050102800 | | | | | | | | | | | | | | 16,0 | | 28,0 | M16 | | | | | | 100 | 3,7 |
| K45R 50/16 (10 SZT.) | E11KM-01050102802 | | | | | | | | | | | | | | | | | | | | | | | 10 | 0,37 |
| K45R 50/20 (100 SZT.) | E11KM-01050102900 | | | | | 20,0 | 22,0 | 30,0 | M20 | | | | | | 100 | 4,3 | | | | | | | | | |
| K45R 50/20 (10 SZT.) | E11KM-01050102902 | | | | | | | | | | | | | | 10 | 0,43 | | | | | | | | | |
| K45R 70/6 (100 SZT.) | E11KM-01050103000 | 70 | 12,0 | 16,5 | 21 | 7,5 | 10,0 | | M6 | √ | 16 | FL70 | 1 | 2 | 100 | 4,6 | | | | | | | | | |
| K45R 70/6 (10 SZT.) | E11KM-01050103002 | | | | | | | | | | | | | | | | | 10 | 0,46 | | | | | | |
| K45R 70/8 (100 SZT.) | E11KM-01050103100 | | | | | | | | | | | | | | 9,0 | 13,0 | | M8 | | | | | | 100 | 4,8 |
| K45R 70/8 (10 SZT.) | E11KM-01050103102 | | | | | | | | | | | | | | | | 23,0 | | | | | | | 10 | 0,48 |
| K45R 70/10 (100 SZT.) | E11KM-01050103200 | | | | | | | | | | | | | | | | | M10 | | | | | | 100 | 5,1 |
| K45R 70/10 (10 SZT.) | E11KM-01050103202 | | | | | | | | | | | | | | 11,0 | 15,0 | | | | | | | | 10 | 0,51 |
| K45R 70/12 (100 SZT.) | E11KM-01050103300 | | | | | | | | | | | | | | | | | M12 | | | | | | 100 | 5 |
| K45R 70/12 (10 SZT.) | E11KM-01050103302 | | | | | | | | | | | | | | | | | | | | | | | 10 | 0,5 |
| K45R 70/14 (100 SZT.) | E11KM-01050103400 | | | | | | | | | | | | | | 14,0 | | | M14 | | | | | | 100 | 5,25 |
| K45R 70/14 (10 SZT.) | E11KM-01050103402 | | | | | | | | | | | | | | | | 18,0 | 28,0 | | | | | | 10 | 0,53 |
| K45R 70/16 (100 SZT.) | E11KM-01050103500 | | | | | | | | | | | | | | 16,0 | | | M16 | | | | | | 100 | 5,25 |
| K45R 70/16 (10 SZT.) | E11KM-01050103502 | | | | | | | | | | | | | | | | | | | | | | | 10 | 0,53 |
| K45R 70/20 (100 SZT.) | E11KM-01050103600 | | | | | 20,0 | 22,0 | 30,0 | M20 | | | | | | 100 | 5,8 | | | | | | | | | |
| K45R 70/20 (10 SZT.) | E11KM-01050103602 | | | | | | | | | | | | | | 10 | 0,58 | | | | | | | | | |

| Typ | Indeks Ergom | Przekrój r/ sm [mm ²] | d | D | a | c1 | c2 | W | Otwór pod śrubę | UL | Nr gniazda - 2 klasa | Nr gniazda - 5 klasa | Lz/s | Lz/w | W opakowaniu [szt.] | Waga [kg] | | | | | | | | | | | | | | |
|-----------------------|-------------------|--------------------------------------|------|------|------|------|----|---|--------------------|------|-------------------------|-------------------------|-------|-------|------------------------|--------------|------|------|-----|-----|----|---|----|-------|---|---|------|------|----|-----|
| K45R 95/8 (50 SZT.) | E11KM-01050103700 | 95 | 13,5 | 18,0 | 24 | | | | M8 | √ | 17 | FL95 | 1 | 2 | 50 | 3,2 | | | | | | | | | | | | | | |
| K45R 95/8 (10 SZT.) | E11KM-01050103702 | | | | | | | | 10 | | | | | | 0,64 | | | | | | | | | | | | | | | |
| K45R 95/10 (50 SZT.) | E11KM-01050103800 | | | | | | | | 12,0 | | | | | | 17,0 | 50 | 3,25 | | | | | | | | | | | | | |
| K45R 95/10 (10 SZT.) | E11KM-01050103802 | | | | | | | | 10 | | | | | | 0,65 | | | | | | | | | | | | | | | |
| K45R 95/12 (50 SZT.) | E11KM-01050103900 | | | | | | | | 18,0 | | | | | | 26,0 | 50 | 3,24 | | | | | | | | | | | | | |
| K45R 95/12 (10 SZT.) | E11KM-01050103902 | | | | | | | | 10 | | | | | | 0,65 | | | | | | | | | | | | | | | |
| K45R 95/14 (50 SZT.) | E11KM-01050104000 | | | | | | | | 20,0 | | | | | | 29,0 | 50 | 3,31 | | | | | | | | | | | | | |
| K45R 95/14 (10 SZT.) | E11KM-01050104002 | | | | | | | | 10 | | | | | | 0,67 | | | | | | | | | | | | | | | |
| K45R 95/16 (50 SZT.) | E11KM-01050104100 | | | | | | | | 16,0 | | | | | | 22,0 | 50 | 3,31 | | | | | | | | | | | | | |
| K45R 95/16 (10 SZT.) | E11KM-01050104102 | | | | | | | | 10 | | | | | | 0,67 | | | | | | | | | | | | | | | |
| K45R 95/20 (50 SZT.) | E11KM-01050104200 | | | | | | | | 20,0 | | | | | | 24,0 | 35,0 | 50 | 3,5 | | | | | | | | | | | | |
| K45R 95/20 (10 SZT.) | E11KM-01050104202 | | | | | | | | 10 | | | | | | 0,7 | | | | | | | | | | | | | | | |
| K45R 120/8 (50 SZT.) | E11KM-01050104300 | | | | | | | | 120 | | | | | | 15,0 | 19,5 | 26 | | | | M8 | √ | 19 | FL120 | 1 | 2 | 50 | 3,7 | | |
| K45R 120/8 (10 SZT.) | E11KM-01050104302 | | | | | | | | | | | | | | | | | | | | 10 | | | | | | 0,74 | | | |
| K45R 120/10 (50 SZT.) | E11KM-01050104400 | 12,0 | 17,0 | 50 | 3,7 | | | | | | | | | | | | | | | | | | | | | | | | | |
| K45R 120/10 (10 SZT.) | E11KM-01050104402 | 10 | 0,74 | | | | | | | | | | | | | | | | | | | | | | | | | | | |
| K45R 120/12 (50 SZT.) | E11KM-01050104500 | 18,0 | 29,0 | 50 | 3,64 | | | | | | | | | | | | | | | | | | | | | | | | | |
| K45R 120/12 (10 SZT.) | E11KM-01050104502 | 10 | 0,73 | | | | | | | | | | | | | | | | | | | | | | | | | | | |
| K45R 120/14 (50 SZT.) | E11KM-01050104600 | 20,0 | 35,0 | 50 | 3,9 | | | | | | | | | | | | | | | | | | | | | | | | | |
| K45R 120/14 (10 SZT.) | E11KM-01050104602 | 10 | 0,78 | | | | | | | | | | | | | | | | | | | | | | | | | | | |
| K45R 120/16 (50 SZT.) | E11KM-01050104700 | 16,0 | 22,0 | 50 | 4,95 | | | | | | | | | | | | | | | | | | | | | | | | | |
| K45R 120/16 (10 SZT.) | E11KM-01050104702 | 10 | 0,99 | | | | | | | | | | | | | | | | | | | | | | | | | | | |
| K45R 120/20 (50 SZT.) | E11KM-01050104800 | 20,0 | 24,0 | 35,0 | 50 | 4,56 | | | | | | | | | | | | | | | | | | | | | | | | |
| K45R 120/20 (10 SZT.) | E11KM-01050104802 | 10 | 0,92 | | | | | | | | | | | | | | | | | | | | | | | | | | | |
| K45R 150/8 (50 SZT.) | E11KM-01050104900 | 150 | 16,5 | 21,0 | 30 | | | | | M8 | √ | 20 | FL150 | 1 | | | | | | | 2 | | | | | | 50 | 4,36 | | |
| K45R 150/8 (10 SZT.) | E11KM-01050104902 | | | | | | | | | 10 | | | | | | | | | | | | | | | | | 0,88 | | | |
| K45R 150/10 (50 SZT.) | E11KM-01050105000 | | | | | | | | 12,0 | 17,0 | | | | | 50 | 4,46 | | | | | | | | | | | | | | |
| K45R 150/10 (10 SZT.) | E11KM-01050105002 | | | | | | | | 10 | 0,9 | | | | | | | | | | | | | | | | | | | | |
| K45R 150/12 (50 SZT.) | E11KM-01050105100 | | | | | | | | 18,0 | 31,0 | | | | | 50 | 4,36 | | | | | | | | | | | | | | |
| K45R 150/12 (10 SZT.) | E11KM-01050105102 | | | | | | | | 10 | 0,88 | | | | | | | | | | | | | | | | | | | | |
| K45R 150/14 (50 SZT.) | E11KM-01050105200 | | | | | | | | 20,0 | 36,0 | | | | | 50 | 4,6 | | | | | | | | | | | | | | |
| K45R 150/14 (10 SZT.) | E11KM-01050105202 | | | | | | | | 10 | 0,92 | | | | | | | | | | | | | | | | | | | | |
| K45R 150/16 (50 SZT.) | E11KM-01050105300 | | | | | | | | 16,0 | 22,0 | | | | | 50 | 4,63 | | | | | | | | | | | | | | |
| K45R 150/16 (10 SZT.) | E11KM-01050105302 | | | | | | | | 10 | 0,93 | | | | | | | | | | | | | | | | | | | | |
| K45R 150/20 (50 SZT.) | E11KM-01050105400 | | | | | | | | 20,0 | 24,0 | | | | | 36,0 | 50 | 5,14 | | | | | | | | | | | | | |
| K45R 150/20 (10 SZT.) | E11KM-01050105402 | | | | | | | | 10 | 1,03 | | | | | | | | | | | | | | | | | | | | |
| K45R 185/10 (50 SZT.) | E11KM-01050105500 | | | | | | | | 185 | 19,0 | | | | | 24,0 | 30 | | | | M10 | | √ | 23 | FL185 | 2 | 4 | 50 | 6,3 | | |
| K45R 185/10 (10 SZT.) | E11KM-01050105502 | | | | | | | | | | | | | | | | | | | 10 | | | | | | | 1,26 | | | |
| K45R 185/12 (50 SZT.) | E11KM-01050105600 | 14,0 | 22,0 | 35,0 | 50 | 6,2 | | | | | | | | | | | | | | | | | | | | | | | | |
| K45R 185/12 (10 SZT.) | E11KM-01050105602 | 10 | 1,24 | | | | | | | | | | | | | | | | | | | | | | | | | | | |
| K45R 185/14 (50 SZT.) | E11KM-01050105700 | 16,0 | 22,0 | 35,0 | 50 | 6,15 | | | | | | | | | | | | | | | | | | | | | | | | |
| K45R 185/14 (10 SZT.) | E11KM-01050105702 | 10 | 1,23 | | | | | | | | | | | | | | | | | | | | | | | | | | | |
| K45R 185/16 (50 SZT.) | E11KM-01050105800 | 20,0 | 24,0 | 38,0 | 50 | 6,15 | | | | | | | | | | | | | | | | | | | | | | | | |
| K45R 185/16 (10 SZT.) | E11KM-01050105802 | 10 | 1,23 | | | | | | | | | | | | | | | | | | | | | | | | | | | |
| K45R 185/20 (50 SZT.) | E11KM-01050105900 | 20,0 | 24,0 | 38,0 | 50 | 6,3 | | | | | | | | | | | | | | | | | | | | | | | | |
| K45R 185/20 (10 SZT.) | E11KM-01050105902 | 10 | 1,26 | | | | | | | | | | | | | | | | | | | | | | | | | | | |
| K45R 240/10 (50 SZT.) | E11KM-01050106000 | 240 | 21,0 | 26,0 | 38 | | | | | | M10 | √ | 25 | FL240 | | | | | | 2 | 4 | | | | | | 50 | 7,76 | | |
| K45R 240/10 (10 SZT.) | E11KM-01050106002 | | | | | | | | | | 10 | | | | | | | | | | | | | | | | 1,56 | | | |
| K45R 240/12 (50 SZT.) | E11KM-01050106100 | | | | | | | | | | 14,0 | | | | | | | | | | | | | | | | 22,0 | 38,0 | 50 | 7,8 |
| K45R 240/12 (10 SZT.) | E11KM-01050106102 | | | | | | | | | | 10 | | | | | | | | | | | | | | | | 1,56 | | | |
| K45R 240/14 (50 SZT.) | E11KM-01050106200 | | | | | | | | 16,0 | 22,0 | 38,0 | | | | 50 | 7,7 | | | | | | | | | | | | | | |
| K45R 240/14 (10 SZT.) | E11KM-01050106202 | | | | | | | | 10 | 1,54 | | | | | | | | | | | | | | | | | | | | |
| K45R 240/16 (50 SZT.) | E11KM-01050106300 | | | | | | | | 20,0 | 24,0 | 43,0 | | | | 50 | 7,6 | | | | | | | | | | | | | | |
| K45R 240/16 (10 SZT.) | E11KM-01050106302 | | | | | | | | 10 | 1,52 | | | | | | | | | | | | | | | | | | | | |
| K45R 240/20 (50 SZT.) | E11KM-01050106400 | | | | | | | | 20,0 | 24,0 | 43,0 | | | | 50 | 7,9 | | | | | | | | | | | | | | |
| K45R 240/20 (10 SZT.) | E11KM-01050106402 | | | | | | | | 10 | 1,58 | | | | | | | | | | | | | | | | | | | | |
| K45R 300/12 (10 SZT.) | E11KM-01050106502 | | | | | | | | 300 | 24,0 | 30,0 | | | | 45 | 14,0 | | | M12 | | | - | 28 | FL300 | 2 | 5 | 10 | 2,4 | | |
| K45R 300/16 (10 SZT.) | E11KM-01050106702 | | | | | | | | | | | | | | | 16,0 | 24,0 | 43,0 | M16 | | | | | | | | | | | |
| K45R 300/20 (10 SZT.) | E11KM-01050106802 | | | | | | | | | | | | | | | 20,0 | | | M20 | | | | | | | | | | | |

Lz/s - Liczba zaciśnień - szerokie, Lz/w - Liczba zaciśnień - wąskie